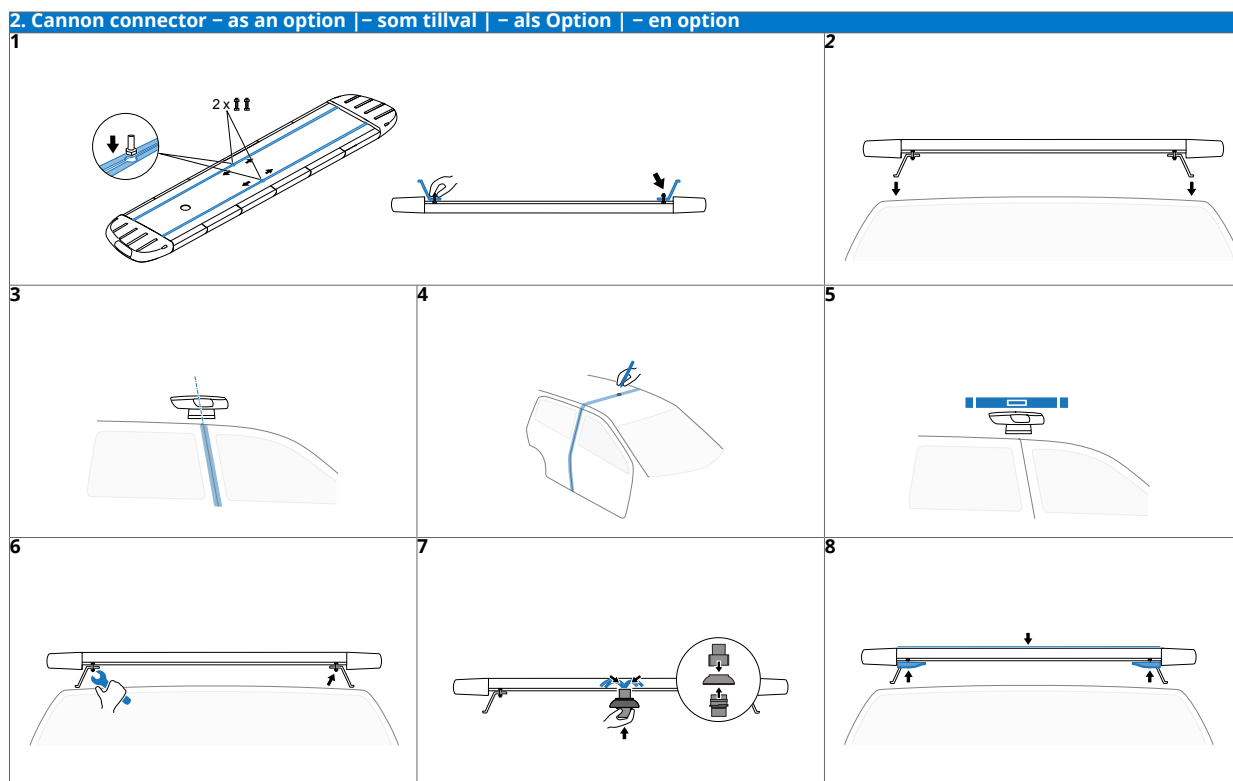
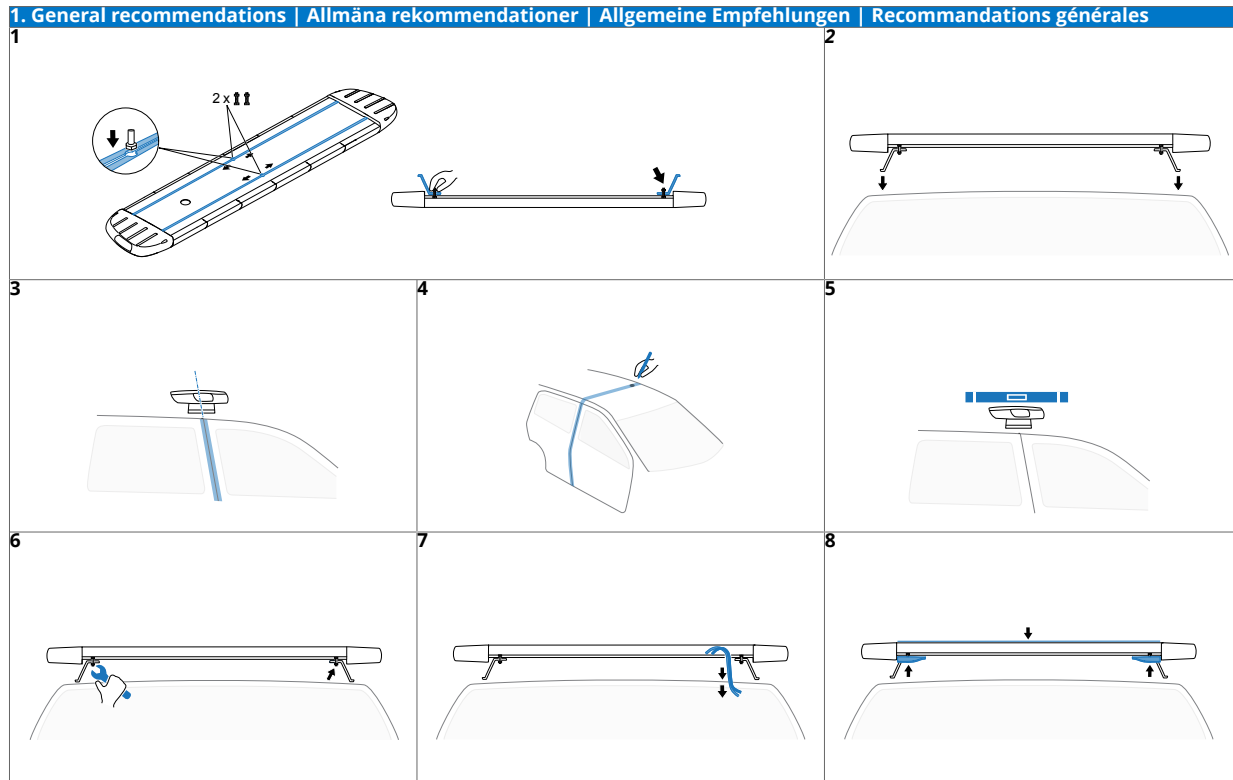


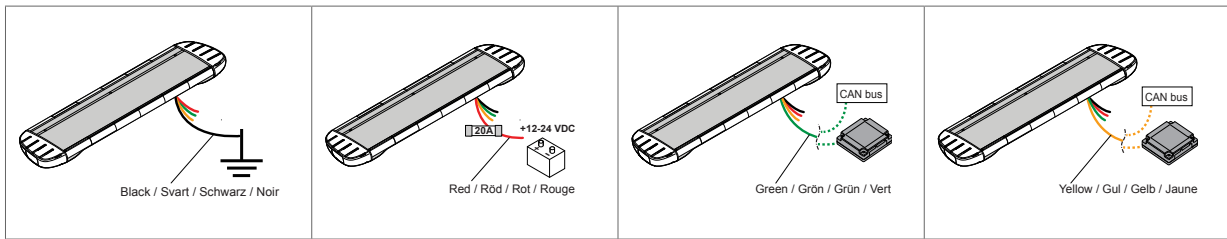
W3 Quick guide

EN The complete user manual can be found at: **SE** Den kompletta bruksanvisningen i original finns på: **DE** Die komplette Originalbetriebsanleitung finden Sie unter: **FR** La notice originale intégrale est disponible sur: www.standby.eu/support/manuals

Installation | Montering | Einbau | Installation



Connections | Inkoppling | Anschlussbeschreibung | Connexions



Safety

WARNING
 This product contains high intensity LED devices. To prevent eye damage, DO NOT look into the light beam at close range.

WARNING
 Hot surfaces. Do not touch the lightbar when the light is on.

Technical data

Lens	Polycarbonate
Color, lens	Clear
Color, LED	Blue, amber, white, red, green, blue/amber, blue/red, blue/white or amber/white
Cable	4.5 m
Voltage	12-24 VDC
Power consumption	15 A with peak at 30 A for less than 50 ms.
Length	590, 930, 1100, 1270, 1440, 1600, 1770 or 1940 mm
Height	Corner module: 65 mm Inboard module: 47 mm
Width	280 mm
Interface	CAN bus of a Standby Control System or break out box
Approvals	ECE R6, ECE R7, ECE R10, ECE R65, ICAO