

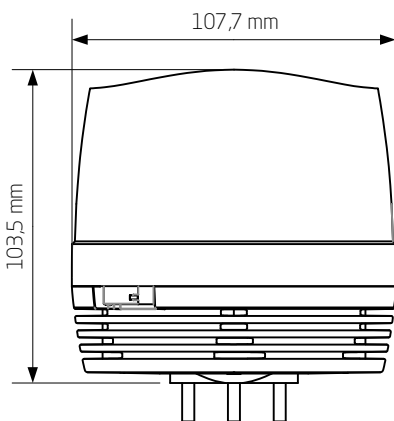
LED-Beacon

RHODON IR



The RHODON IR LED flashing beacon was created through consistent further development and use of the latest technologies.

As finding lighting for night vision devices ("helicopter finding lighting") finds this small compact beacon is used.



TECHNICAL DATA

operating voltage	12 / 24 VDC (9 ... 32 VDC)
current consumption	at 12V: 1,3 A at 24V: 0,6 A
light intensity	32 W/m ²
protection class	IP X5
mounting	flatmounting
dome / LED colour	clear
dimensions	107,7 x 103,5 mm
weight	approx. 750 g
approval	E1-035418

ORDER CODES

008508735651 RHODON IR, flatmount, ISO 35 mm