

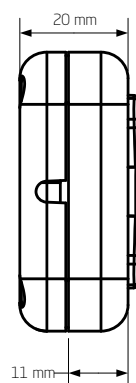
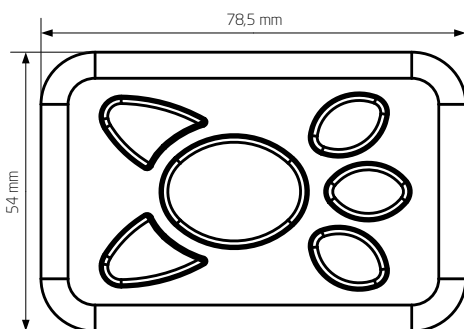
## CONTROL PANELS

### BT-210

The mini control unit BT-210 replaces the function of the alarm rotary pull switch with three additional freely programmable function keys, which can be assigned to any function.

#### Product features:

- **Standard functions:**
  - Beacons on
  - Horn button preselection
  - Continuous signal
- Alternatively also available with a neutral key mat
- Bus connection to the MS-350 control unit
- Illuminated keys (with night locator lighting)
- Acoustic function feedback
- Suitable for installation and assembly



#### TECHNICAL DATA

operating voltage	12 VDC (10.8 ... 14.4 VDC)
current consumption	< 200 mA in operation < 0,5 mA in standby mode
ambient temperature	
- in operation	-40 ... +70 °C
- storage / transport	-40 ... +85 °C
weight	approx. 70 g
dimensions	78.5 x 54 x 22.5 mm
approval	e1-034713 (EMC)

Product videos:

