

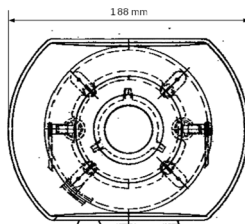
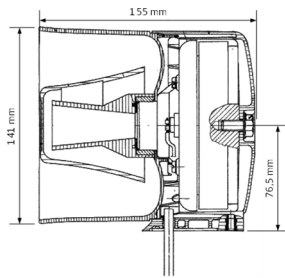
## LOUDSPEAKER

### LAD 334 / 335

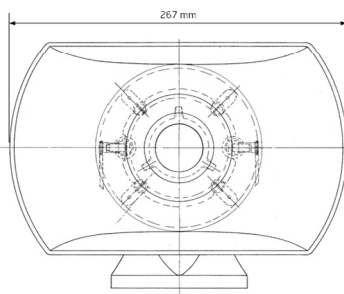
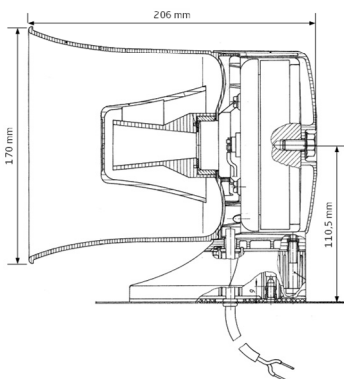
The loudspeakers LAD 334/335 are suitable for mounting on large vehicles. The large funnels and extra strong pressure chamber systems ensure a high level of efficiency, both for clear and penetrating special signals and for voice announcements.

#### Product features:

- For 24V vehicles
- Possible equipment on the vehicle:
  - 2 x LAD 334
  - 1 oder 2 x LAD 335
- Paintable



LAD 334



LAD 335



ARTICLE NUMBER	DESCRIPTION
20728401000	Loudspeaker LAD-334
20738401003	Loudspeaker LAD 335
20738400017	Mountingbase for LAD 334/335

TECHNICAL DATA	LAD 334	LAD 335
impedance	11 Ω	11 Ω
resilience	100 W	100 W
ambient temperature		
- operation	-25 ... +60 °C	-25 ... +60 °C
- storage / transport	-40 ... +80 °C	-40 ... +80 °C
dimensions (l x w x d)	194 x 155 x 163 mm	267 x 195.5 x 206 mm
material	Ultramid PA 6 B 3 K	Ultramid PA 6 B 3 K
colour	white, RAL 9001	white, RAL 9001
usable with	MS-350	MS-350