

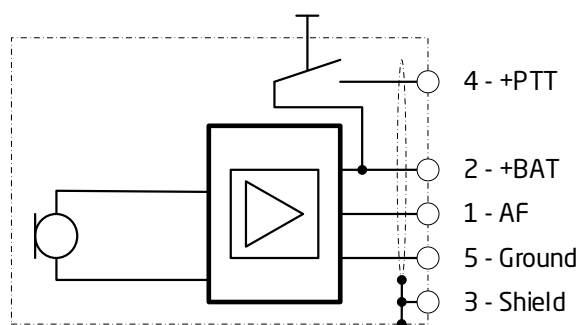
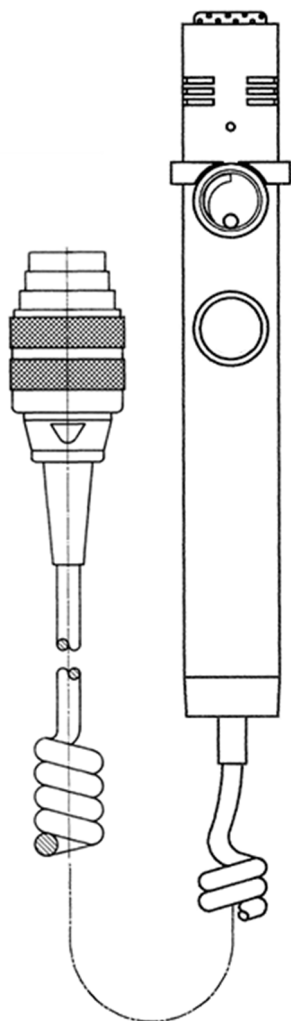
ACCESSORIES

Microphone MIK 450A

The active rod microphone MIK 450A is used to make voice announcements via the special signal system. It can be connected directly to a control device or to an operating device using an appropriate connection cable.

The microphone is noise-compensated, has a supercardioid pickup pattern and a large transmission range. This combination guarantees high voice quality.

Thanks to the universal clip holder, the microphone can be attached anywhere in the vehicle and is always at hand when it is needed.



ARTICLE NUMBER	DESCRIPTION
64991001705	Microphone, passive, K-SM 30/MS-300
08138525006	Microphone Connection Cable MAWA-5

TECHNICAL DATA	
transmission range	20 ... 12,000 Hz
characteristics	supercardioid
AF-level	450 mV
dimensions	Ø 29 x 170 mm
cable	250 ... 2,300 mm coiled cable
weight	approx. 235 g