

# HEADLIGHTS

## Antares GO 610 / 625

The Antares GO is a powerful all-rounder with an above-average light output.

Due to its high quality and the light aluminum housing, this work light is part of the original equipment of the leading bodybuilders.

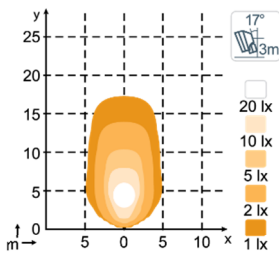
The Antares GO can be used universally in the areas of fire brigade, municipal vehicle and special vehicle construction.

**Product features:**

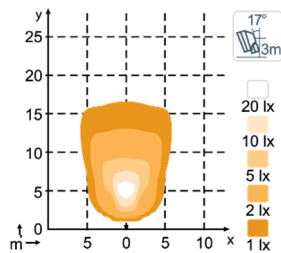
- **Dimmable**
- **Cost-effective all-rounder**
- **Light output:**
  - **Antares GO 610: 1000 lm**
  - **Antares GO 625: 2300 lm**
- **Compact design**



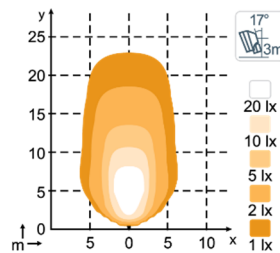
**Antares Go 610 1000lm Flood**



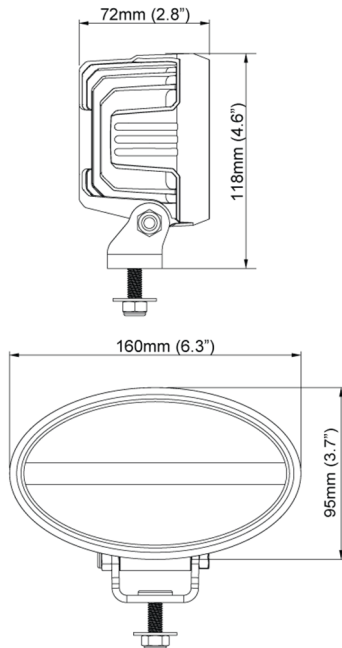
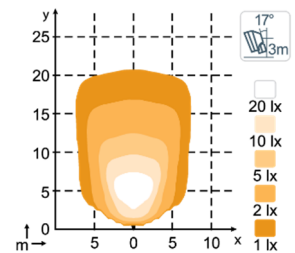
**Antares Go 610 1000lm Wide Flood**



**Antares Go 625 2300lm Flood**



**Antares Go 625 2300lm Wide Flood**



TECHNICAL DATA		
	Antares GO 610	Antares GO 625
operating voltage	12 / 24 VDC (9 ...16 / 18 ... 32 V)	12 / 24 VDC (9 ...16 / 18 ... 32 V)
power consumption	16 W	39 W
current consumption	12V: 1.05 A 24V: 0.60 A	12V: 2.5 A 24V: 1.4 A
luminous flux	1000 lm	2300 lm
colour temperature	5000 K	5000 K
impact and shock resistance	60 G	60 G
vibration resistance	8 grms ; 24-2000 Hz	8 grms ; 24-2000 Hz
mounting	single srew M8	single srew M8
weight	0.8 kg	0.8 kg
ambient temperature	-40 °C ... +85 °C	-40 °C ... +85 °C
protection class	IP 68, IP6K9K	IP 68, IP6K9K
salt spray	ISO 9227 240H	ISO 9227 240H
approvals	EMC: CISPR 25 Class 5, ISO 13766 ISO 14982, ISO 7637-2 EN 12895	EMC: CISPR 25 Class 5, ISO 13766 ISO 14982, ISO 7637-2 EN 12895

ARTICLE NUMBER	DESCRIPTION
N988-301B	Antares Go 610 - Flood
N988-304B	Antares Go 610 - Wide Flood
N988-302B	Antares Go 625 - Flood
N988-303B	Antares Go 625 - Wide Flood