

HEADLIGHTS

Scorpius N4402

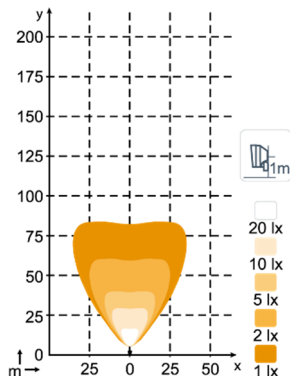
The Scorpius N4402 work light offers excellent illumination with a light output of 4200 lm. Compared to its predecessor, it has an improved ratio of light output to power consumption with the same dimensions.

This LED work light is characterized by a long service life and high operational reliability with minimal maintenance.

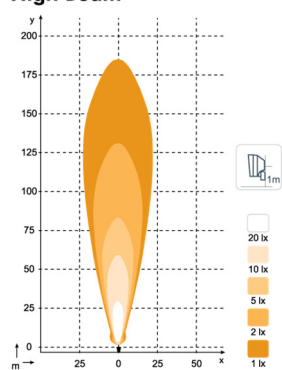
The Scorpius N4402 is suitable for harsh conditions and a wide variety of applications. It can be used universally in the areas of fire brigades, municipal vehicles and special vehicle construction.



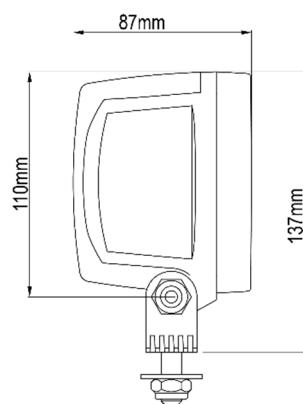
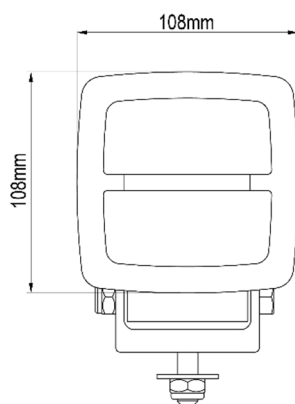
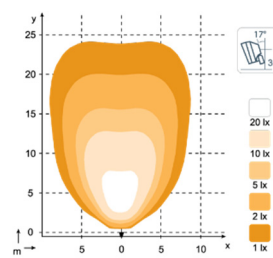
**N4401 QD, N4402 4200lm
Low Beam**



**N4401 QD, N4402 4200lm
High Beam**



**N4401 QD, N4402 4200lm
Wide Flood**



ARTICLE NUMBER	DESCRIPTION
N984-145	Scorpius LED N4402 WideFlood
N984-152	Scorpius LED N4402 LoBeam
N984-153	Scorpius LED N4402 HiBeam

TECHNICAL DATA

operating voltage 12 / 24 VDC (9 ... 32 VDC)

power consumption 50 W

current consumption 12V: 4.2 A
24V: 2.1 A

luminous flux 4200 lm

colour temperature 5700 K

impact and shock resistance 60 G

vibration resistance 15.3 grms ; 24-2000 Hz

mounting single screw M10

weight 1.1 kg

ambient temperature -40 °C ... +85 °C

protection class IP 68, IP6K9K, SAE J1455

salt spray ISO 9227 240H

approvals EMC:
CISPR 25 Class 5, ISO 13766
ISO 14982, ISO 7637-2