

HEADLIGHTS

Spica N2401

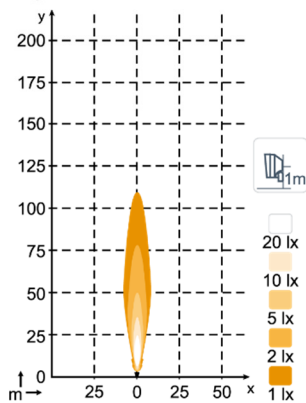
The Spica N2401 work light impresses with a particularly compact size and a lighting solution with dimmable function.

This LED work light is characterized by a long service life and high operational reliability with minimal maintenance. A work light that defies the forces of nature.

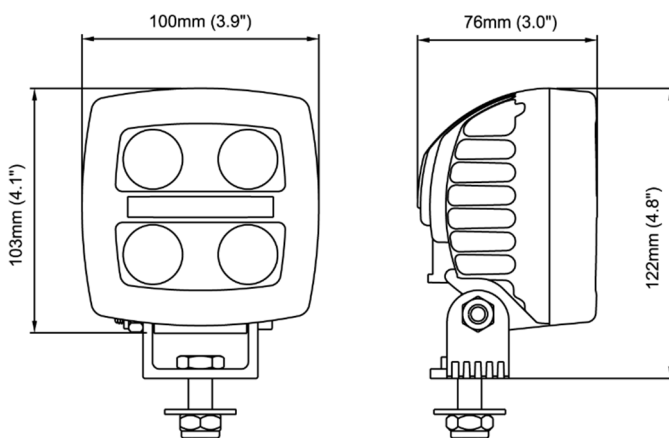
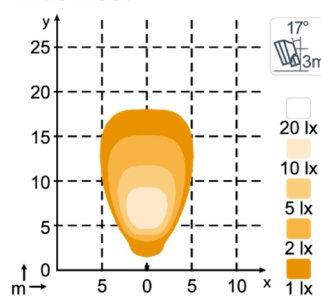
The Spica can be used universally in the areas of fire brigade, municipal vehicles and special vehicle construction.



N2401 750lm High Beam



N2401 750lm Wide Flood



ARTICLE NUMBER	DESCRIPTION
N981-301B	Spica N2401 Wide Flood
N981-303B	Spica N2401 High Beam

TECHNICAL DATA

operating voltage	12 / 24 VDC (9 ... 32 VDC)
power consumption	24 W
current consumption	12V: 2.0 A 24V: 1.0 A
luminous flux	750 lm
colour temperature	5700 K
impact and shock resistance	60 G
vibration resistance	8 grms ; 24-2000 Hz
mounting	single screw M10 oder M8
weight	0.9 kg
ambient temperature	-40 °C ... +85 °C
protection class	IP 68, IP6K9K, SAE J1455
salt spray	ISO 9227 240H
approvals	EMC: CISPR 25 Class 5, ISO 13766 ISO 14982, ISO 7637-2