

Panic Button

autoeyeXpert

PRO SERIES

LED Panic Button for Pro Series DVR's

Part number: AEX-ST-ACC-AB

KEY FEATURES

- LED indicators show live status of connected DVR
- Large red button allows quick easy access
- Button can create timeline markers, and initiate special functions

DESCRIPTION

The AEX-ST-ACC-AB LED panic button can be used with Pro Series DVR's to provide live status indication of the DVR functions, and provide an easy way to create video timeline markers and initiate special functions for emergency use. It connects to the DVR via an RS485 connection which provides power for the LED's and data communications for the indicator and button functions.

The LED's indicate power, configurable sensor alarms, recording status, and error alarms.

The momentary push button is configurable and in its most basic state acts as a time/date marker for events on the recording timeline. It can also be used to initiate recording, create an alarm state, and initiate live streaming via a connected server.

The button is also available in an enhanced format as AEX-ST-ACC-493 which adds two additional LED's for separate indications of audio and video recording for installations where visual alerts for conversation privacy are required.

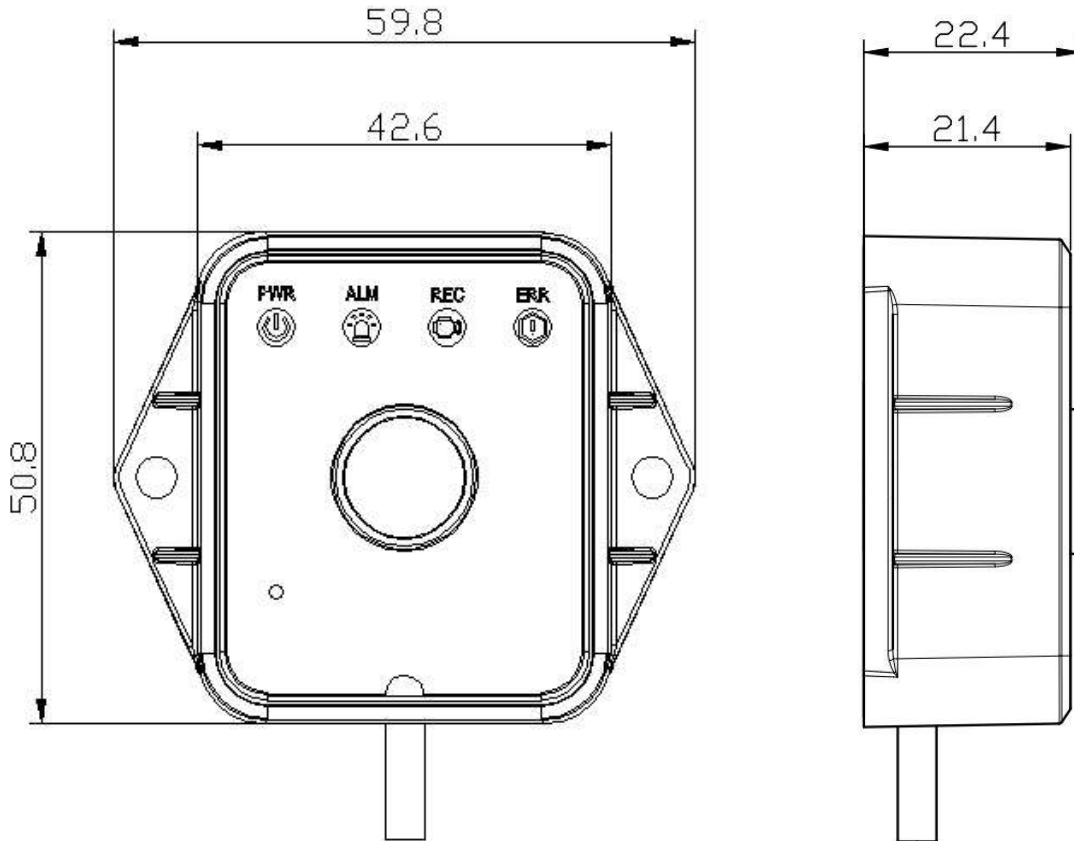


SPECIFICATION

MODEL	AEX-ST-ACC-AB	
Ports	Port Form	Small 5559 port 4P
	Port Number	1
Power	Power Consumption	≤ 0.4W
	Input Power	DC5V/12V
Others	LED	PWR/ALM/REC/ERR
	Dimensions (mm)	59.8 x 50.85 x 22.4
	Weight	35g
	Operating Environment	Working Temperature: -40°C ~ +70°C Storage Temperature: -40°C ~ +85°C Working Humidity: 10% ~ 90% RH Non-condensing Storage Humidity: 5% ~ 95% RH Non-condensing

Panic Button AEX-ST-ACC-AB

Dimensions



PRINT DESCRIPTION

NUMBER	PRINT	DESCRIPTION
1	PWR	Blue: Light is on when power is on, and light is off when power is off
2	ALM	Red: Light is on when there is alarm, and light is off when there is no alarm
3	REC	Green: Light is on when recording, and light is off when there is no recording
4	ERR	Orange: Light is on when there is malfunction, and light is off when it works well

CABLE DEFINITION



Diagram

Small	5559-4Pin	TJC3-4P-P1.25	
485B	2	4	Brown and white
485A	3	3	Brown
GND	4	2	Black
+5V	1	1	Red