

Multichannel Mobile Video Recorder

autoeyeXpert

PRO SERIES

5 Channel (1xIP + 4xAHD) Twin SD Card Recorder

Part number: AEX-ST-DVR-M1-4W (wi-fi and 4G options installed, empty data storage slots)

KEY FEATURES

- Connects 4 x AHD cameras and 1 x IP (PON) camera
- Up to 1080p resolution of H.264/H.265 encoding for each camera channel
- One CVBS video output interface
- 2 x SD card slots with up to 256GB of storage per slot (512GB total max storage)
- Wireless functions include 4G module and Wi-Fi module providing flexible data transmission solutions for live streaming and downloads
- Built-in GPS (Global Positioning System) module for measuring vehicle speed, location and route taken
- Built-in 6-axis accelerometer with configurable alarm thresholds for each axis e.g. to alert to impact, hard cornering/braking etc
- 8 x latched sensor inputs, configurable for high/low or volt-free connection for e.g. brakes, indicators, blues, siren, etc
- 2 x latched alarm outputs to drive external LED/relay devices
- Specialised aviation connectors ensuring signal stability
- Shutdown delay (0 h to 6 h) and 24-hour scheduled startup/shutdown
- Battery protection avoids running vehicle battery at dangerously low levels
- Wide-range power input (+9 VDC to +32 VDC) to support both 12 volt and 24 volt vehicles
- Power supply reservoir prevents data loss from vehicle stalling and power surges
- Configuration options via touch screen, USB mouse, IR controller or web browser interface
- Wide ranging operation in ambient conditions from -40°C to +70°C (DVR only - storage media subject to separate spec)
- Custom video watermark overlays for time, date, speed, alarms, etc
- Options for remote messaging services (voice and text), ADAS (white line crossing, pedestrian sensing, proximity-vs-speed), Blind Spot Detection, and Driver Status (distracted, smoking, phone use etc)
- Compatible with the Standby AutoEye Xpert Cloud Service for online live streaming, data upload, fleet and evidence management
- Client software available for Windows, Android, iOS and web app via browser

APPLICATIONS

- **Fire Service Managers Car**
 - All-round view supported (front, rear, sides) to ensure high levels of safety and security
 - Switchable audio recording based on alarms ensures privacy and GDPR requirements
 - Log activation of blues, siren etc, and optionally use to switch video functions
 - Automated or manual downloads for easy data management in the cloud
 - Live streaming to mobile devices to support quick and easy fleet and scene management
- **Police Beat Car**
 - Covers front, rear and internal views
 - Touch screen monitor option facilitates easy playback of events to suspects for rapid resolution of minor offences
 - Panic button feature to initiate live stream and/or place timeline markers (i.e. for marking drugs being thrown by suspect during pursuit)
 - Log activation of blues, siren etc, and optionally use to switch video functions
- **Paramedic First Responder Car**
 - Cameras for external (front, rear, sides) and optionally internal
 - Protection for driver in blue light events such as driving through red lights, GATSO's etc
 - Wireless connectivity for automated downloads to cloud service
 - Log activation of blues, siren etc, and optionally use to switch video functions



5 Channel (1xIP + 4xAHD) Twin SD Card Recorder AEX-ST-DVR-M1-4W

Specification

MODEL		AEX-ST-DVR-M1-4W
System	Operating System	Linux 4.9
	Control Mode	CP4, mouse, EasyCheck and network (3G/4G/Wi-fi)
Video	Input	4-channel AHD + 1-channel IPC
	Output	1-channel CVBS
	Total Resource	AHD: 4 x 720p @ 25 FPS (PAL) or 4 x 1080p @ 10 FPS (PAL) or 4 x 720p @ 30 FPS (NTSC) or 4 x 1080p @ 12 FPS (NTSC) IPC: 1 x 1080p @ 30 FPS
Audio	Input	4-channel AHD + 1-channel IPC
	Output	1 channel CP4
	Audio Signal	Standard - Level: 2Vpp; input impedance: 4.7 kilohm
Display	Display Split	1/4/9-screen display
	Screen Display	Positioning information, alarms, license plate numbers, driving speed, time etc.
	Operating Interface	GUI
Recording	Audio/Video	Video - H.264/H.265
	Compression Format	Audio - ADPCM, G.711U, G.711A
	Image Resolution	AHD: PAL - 1080p (1920x1080), 720p (1280x720), WD1 (928x576), WHD1 (928x288), WCIF (464x288), D1 (704x576), HD1 (704x288), CIF (352x288) NTSC - 1080p (1920x1080), 720p (1280x720), WD1 (928x480), WHD1 (928x240), WCIF (464x240), D1 (704x480), HD1 (704x240), CIF (352x240) IPC - 1080p (1920x1080), 720p (1280x720)
	Image Quality	Levels 1-8 adjustable (preferably Level 1)
	Recording Mode	Startup/Manual/Scheduled/Alarm event recording
	Alarm Prerecording	0-60 min
	Alarm Recording Delay	0-30 min
Playback	Playback Channel	1-channel local playback
	Search Mode	By date/time, channel, or event
Network	3G/4G	EVDO/TD-SCDMA/WCDMA/TDD-LTE/FDD-LTE (optional)
	WI-FI	W217 module. Supported protocol: 802.11a/b/g/n/ac Supported frequency band: 2.4/5.0 GHz
	IPC Ethernet	1 x 6-pin avaiation plug (100 Mbit/s, PON-powered)
Positioning	GPS/BD	Positioning speed detection, and time synchronisation
Sensor	G-Sensor	Built-in 6 axis inertial sensor
Storage	SD	Hot-swapping 32/64/128/256 GB SDXC

5 Channel (1xIP + 4xAHD) Twin SD Card Recorder AEX-ST-DVR-M1-4W

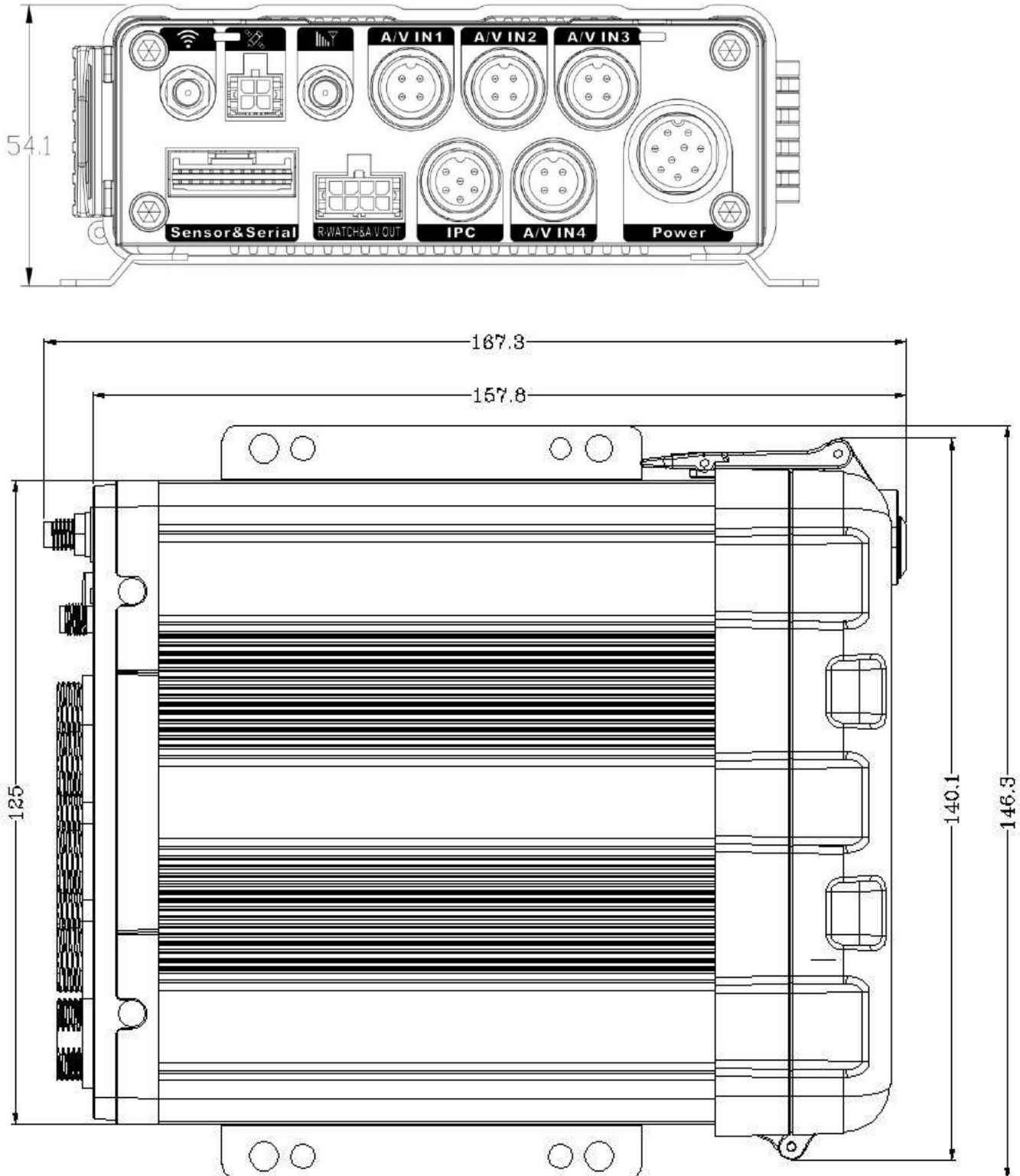
Port	USB	1 x USB2.0 (Type A)
	SIM	1 x SIM card slot
	Serial Port	2 x RS232, 1 x RS485 (R-WATCH)
	IO	8-channel input and 2-channel output
	Speed	1 channel pulse speed detection
	Control Panel	CP4 (accessories optional)
	Intercom	1 x MIC port
	CAN	Not supported
Power Supply	Input	DC 8~36V
	Output	5V @ 500mA
	Power Consumption	Maximum typical: 29W
	Standby Power	≈ 0W
Physical Characteristics	Dimensions (mm)	167.3 x 146.3 x 54.1
	Weight (kg)	0.83kg
Environment	Operating Temperature	-40°C to +70°C
	Operating Humidity	8% to 95% (non-condensing)
AI	MDVR AI	Streamax AHD camera CA29M (DSM) and CA20S3.0 (ADAS)

Peripherals and Accessories

- AEX-ST-ACC-M1AC - interface connector loom for IO sensor alarms connections on X1 and M1 DVR's
- AEX-ST-ACC-AB - alarm button and LED status indicator for X1 DVR's (requires serial data connection on AEX-ST-ACC-M1AC loom)
- AEX-ST-ACC-EC - EasyCheck wifi hotspot for DVR maintenance using iOS or Android devices
- AEX-ST-MMC-256 - 256GB SD card for data storage
- AEX-ST-MMC-128 - 128GB SD card for data storage
- AEX-ST-MMC-64 - 64GB SD card for data storage

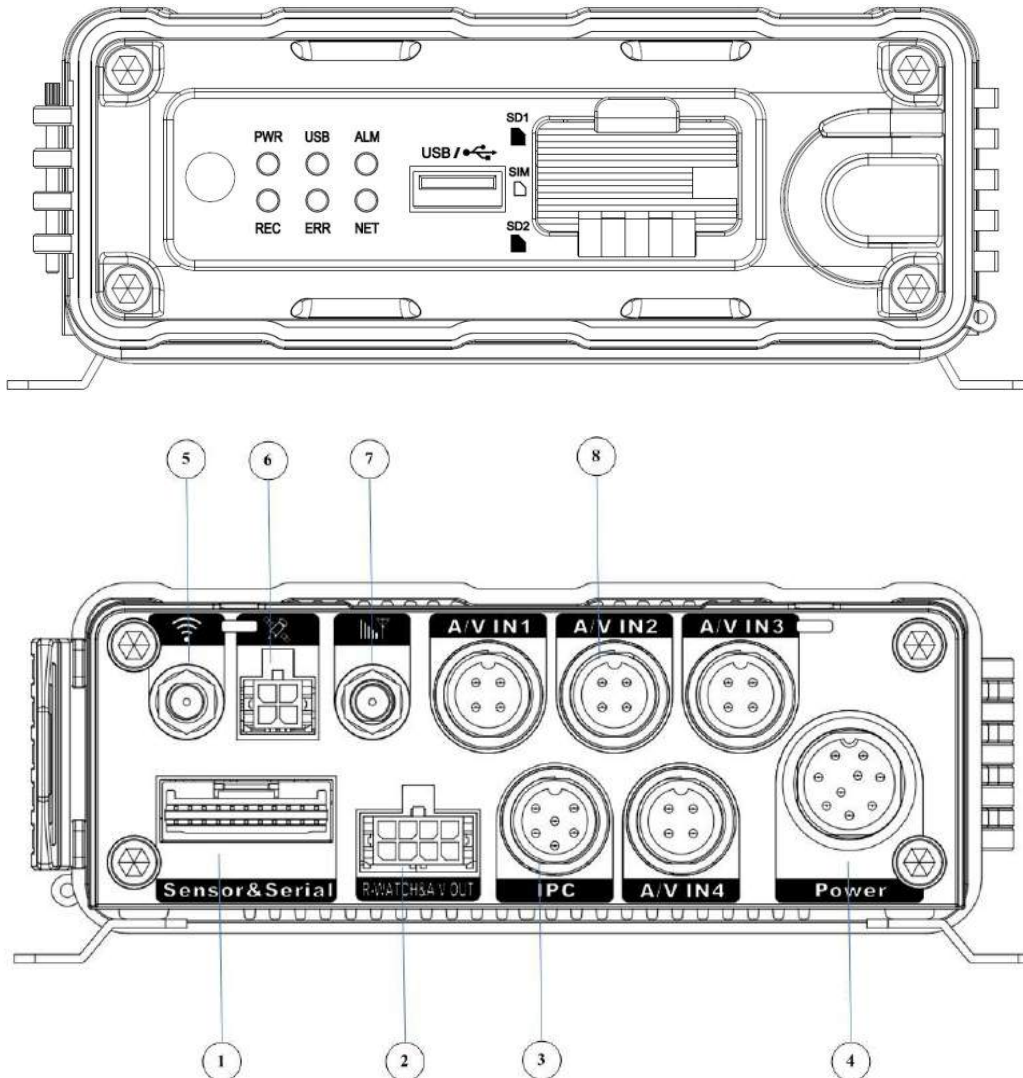
5 Channel (1xIP + 4xAHD) Twin SD Card Recorder AEX-ST-DVR-M1-4W


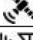

Dimensions



5 Channel (1xIP + 4xAHD) Twin SD Card Recorder AEX-ST-DVR-M1-4W

Panel Ports



S/N	Silk Screen	Description
1	Sensor&Serial	IO port & serial port
2	R-WATCH&A/V OUT	R-WATCH and A/V OUT port
3	IPC	Non-powered IPC port
4	Power	8-36 V DC power input
5		Wi-fi antenna connector
6		GPS/BDS antenna connector
7		3G/4G antenna connector
8	A/VIN1 1~4	Analog audio/video input ports 1 to 4

5 Channel (1xIP + 4xAHD) Twin SD Card Recorder AEX-ST-DVR-M1-4W

Typical Wiring Diagram

