

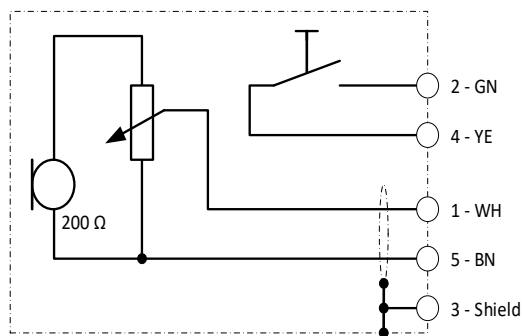
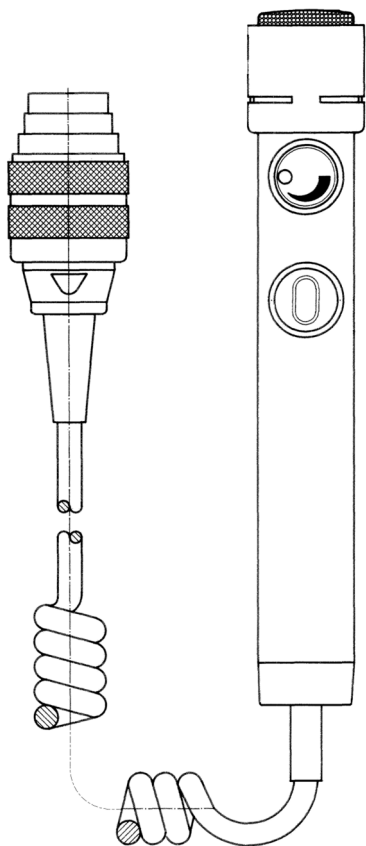
## ACCESSORIES

### Microphone TM 110 RS

The proven TM110 RS (MIK-103) stick microphone is used to make voice announcements via the special signal system. It can be connected directly to a control device or to an operating device using an appropriate connection cable.

The microphone is noise-compensated, has a cardioid pickup pattern and a large transmission range. This combination guarantees high voice quality.

Thanks to the universal clip holder, the microphone can be attached anywhere in the vehicle and is always at hand when it is needed.



ARTICLE NUMBER	DESCRIPTION
64991001895	Microphone TM 110 RS
09088400102	Microphone Set
08138525006	Microphone Connection Cable MAWA-5

TECHNICAL DATA	
transmission range	20 ... 12,000 Hz
characteristics	cardioid
AF-level	4 mV
impedance	200 Ω
dimensions	Ø 29 x 170 mm
cable	250 ... 2,300 mm coiled cable
weight	approx. 235 g