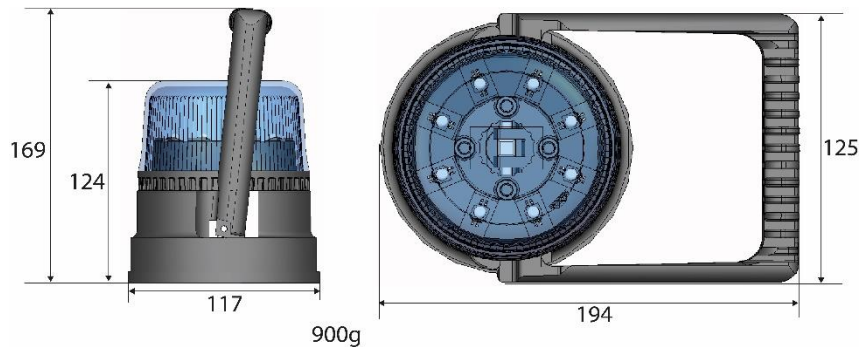


# GYROLED® STICK ALL VERSIONS

GYROLED with suction cup attachment and cigarette lighter connector. The GYROLED® withstands a force of 500N.

## 1. GYROLED® STICK CLASS 1



Power: 12W

Operating voltage: 10.5V to 30V

Consumption in rotating mode in all colours :

- I(Amp): 0.9 A for 13.5 volts
- I(Amp): 0.45 A at 27 volts

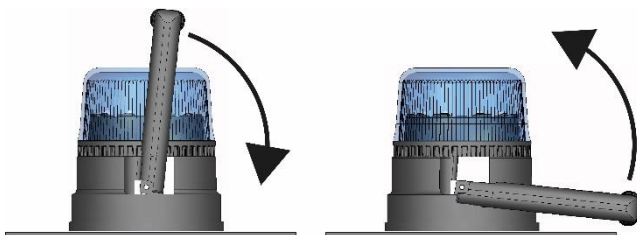
Consumption in all-color flash mode :

- I(Amp): 1 Amp for 13.5 volts (2.4 Amp peak)
- I(Amp): 0.4 Amp at 27 volts (1.2 Amp peak)

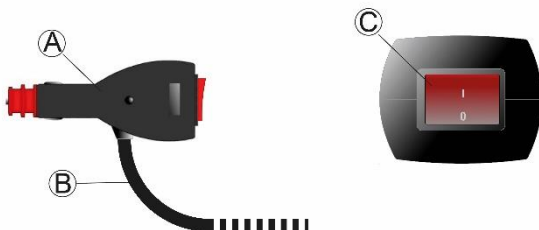
R10 approval for all colours and modes: e2 03 08036

R65 approval:

- Rotating blue: TB1 E2 00 08064
- Blue flashing: TB1 E2 00 08088
- Rotating orange: TA1 E2 00 09031
- Flashing orange: TA1 E2 00 09032



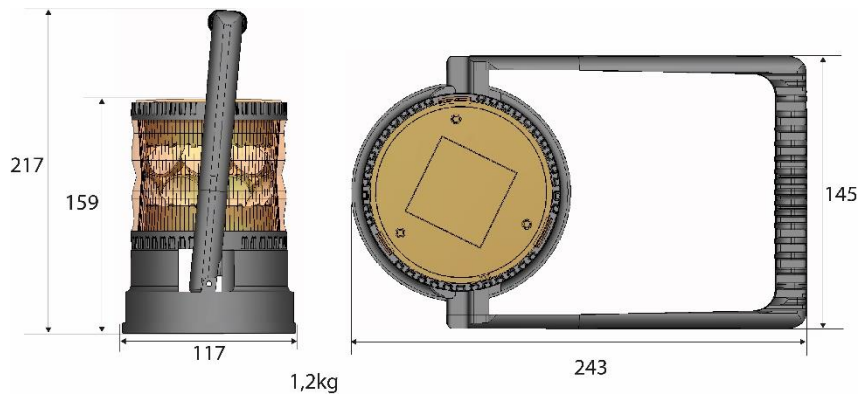
The surface of the pavilion on which the GYROLED® STICK is to be installed must be flat and clean so as not to affect the adhesion of the assembly.



- A. Cigarette lighter connector
- B. GYROLED power cord® STICK
- C. On (1) / Off (0) switch

**! Pay attention to the current protection (fuse) of the plug.  
This must be sized in relation to peak consumption.**

## 2. GYROLED® STICK CLASS 2



Power: 24W

Operating voltage: 10.5V to 30V

Consumption in rotating mode in all colours :

Day mode

- I(A): 1.7 Amp for 13.5 volts
- I(A): 0.85Amp for 27 volts

Night mode

- I(A): 0.8 Amp for 13.5 volts
- I(A): 0.42 Amp at 27 volts

Consumption in all-color flash mode :

Day mode

- I(A): 1.7 Amp for 13.5 volts (5 Amp peak)
- I(A): 0.8 Amp at 27 volts (2.3 Amp peak)

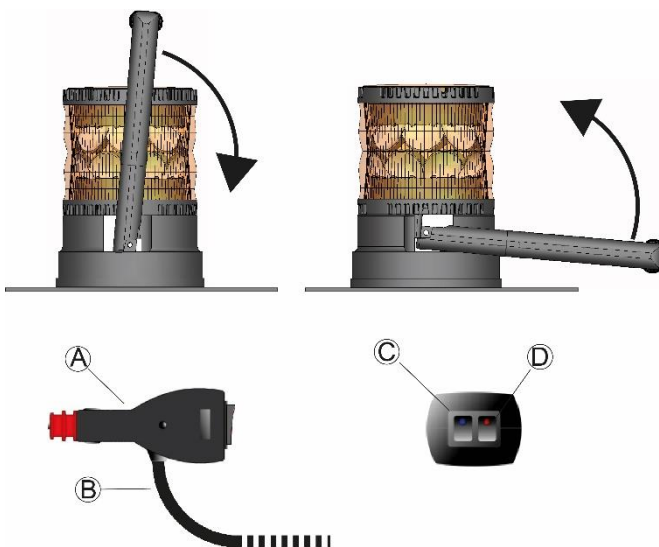
Night mode

- I(A): 0.84 Amp for 13.5 volts (5 Amp peak)
- I(A): 0.42 Amp for 27 volts (2.3 Amp peak)

R10 approval for all colours and modes: e2 03 08036

R65 approval:

- Rotating blue: TB2 E2 00 10034
- Blue flashing: TB2 E2 00 10033
- Rotating orange: TA2 E2 00 11010
- Flashing orange: TA2 E2 00 11011



The surface of the pavilion on which the GYROLED® STICK is to be installed must be flat and clean so as not to affect the adhesion of the assembly.

- A. Cigarette lighter connector
- B. GYROLED power cord® STICK
- C. Blue light switch Night function (50% light output)
- D. Red light switch On / Off

**! Pay attention to the current protection (fuse) of the plug.  
This must be sized in relation to peak consumption.**