



THE NETHERLANDS
(N E D E R L A N D)



COMMUNICATION

Concerning:

- approval granted
- ~~approval extended~~
- ~~approval refused~~
- ~~approval withdrawn~~
- ~~production definitely discontinued~~

of a type of special warning lamp for motor vehicles, pursuant to Regulation number 65.


Approval number: E4-65R-00 6585

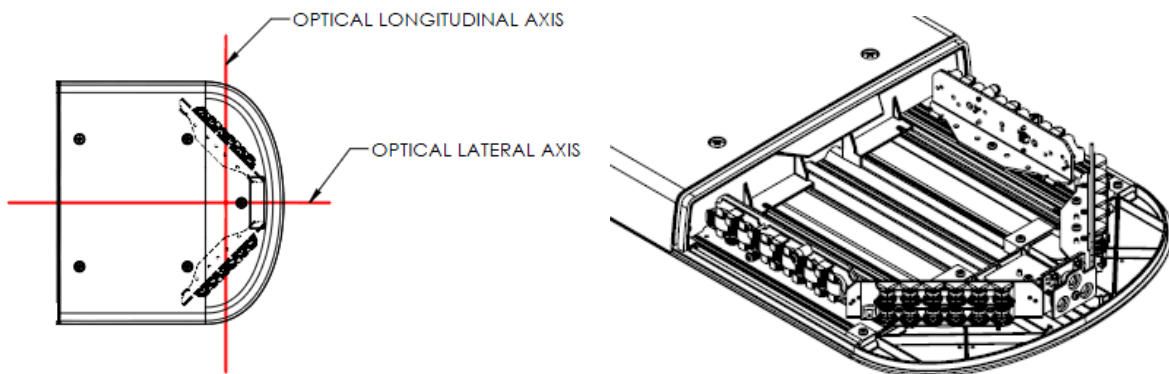
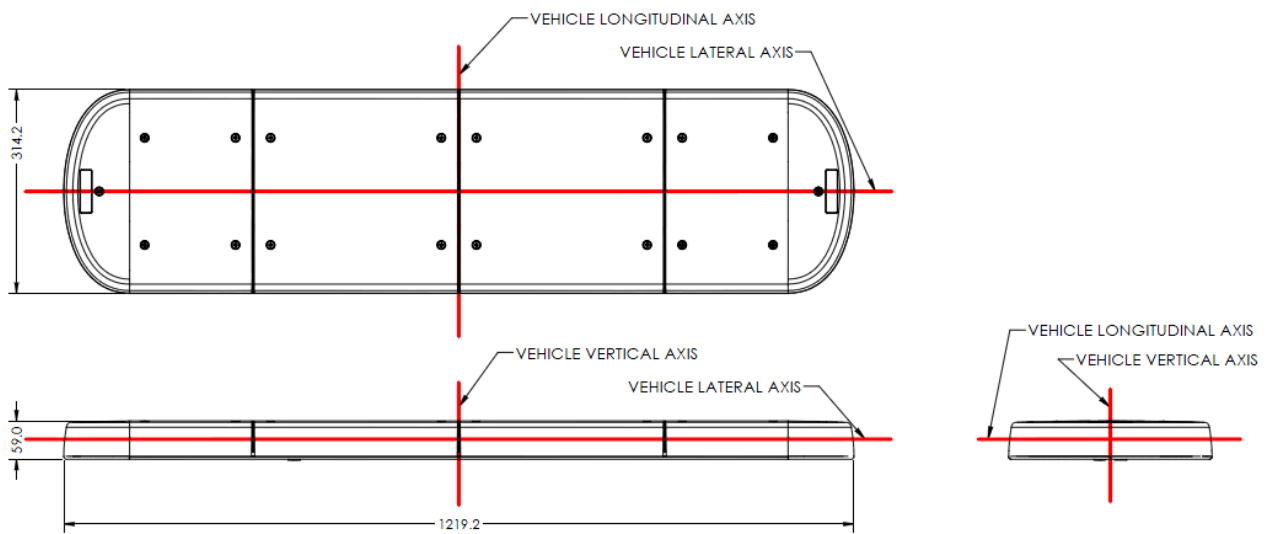
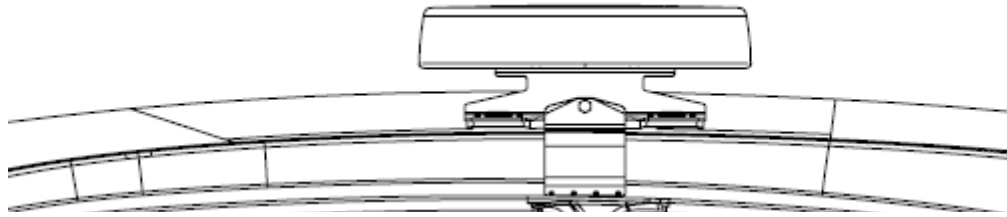
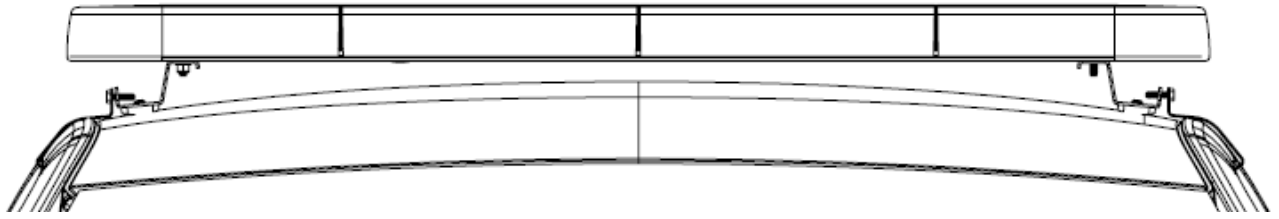
Extension number: 00

Approval mark:

1. Special warning lamp / ~~rotating~~ / stationary flashing lamp / ~~directional flashing lamp~~ / complete bar / blue / ~~amber~~ / ~~red~~
2. Special warning lamp has one/~~two~~ levels of intensity
Special warning lamp consists of 1 separate units
3. For special warning lamps having two levels of intensity, indicate the system used to obtain increased intensity at daytime : n.a.
4. Used light source,
 - category of filament lamp : n.a.
 - gas discharge light source : n.a. or,
 - LED : yes/~~no~~ or,
 - Light source module : yes/no or,
 - Light source module specific identification code : n.a.
5. Rated voltage of special warning lamp : 12V (constant operation over 11 to 16V)
6. Trade name or mark : SoundOff Signal, type EMG2000BC
7. Manufacturer's name and address : SoundOff Signal
3900 Central Parkway
Hudsonville, MI 49426
USA

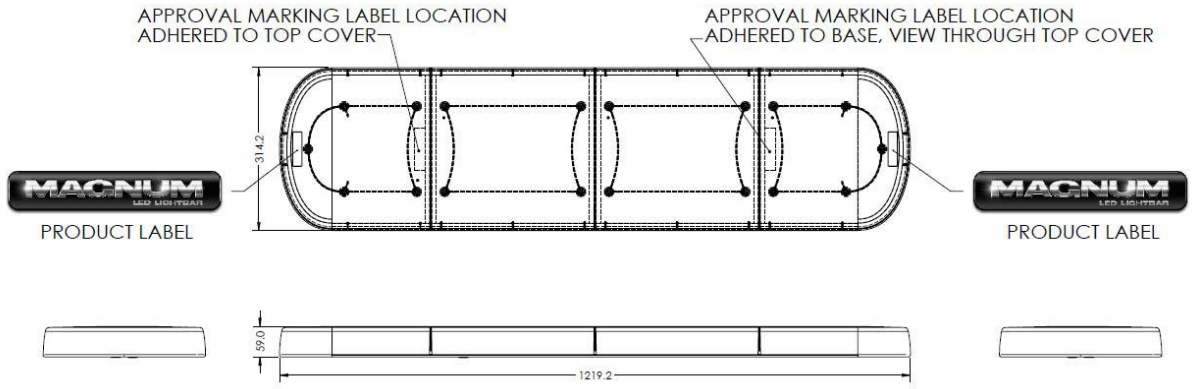


8. If applicable, name and address of manufacturer's representative : n.a.
9. Submitted for approval on : August 14, 2012
10. Technical service responsible for approval tests : DEKRA Certification B.V.
11. Date or report issued by that service : August 22, 2012
12. Number of report issued by that service : 2156491-PHO 12-158
13. Approval : granted/~~extended/refused/withdrawn~~
14. Reason(s) of extension (if applicable) : n.a.
15. Place : Zoetermeer
16. Date : 30-AUG-2012
17. Signature : 
18. The list of documents deposited with the Administration Service which has granted approval is annexed to this communication and may be obtained on request.
- Two Technical Drawings: "Optical Axis Drawing" and "Label Placement Drawing" (annexed)
 - Test report as mentioned in item 12



Mounting Drawings
Optical Axis Drawing
Location and Direction of Optical Axis





Label Placement Drawing

