

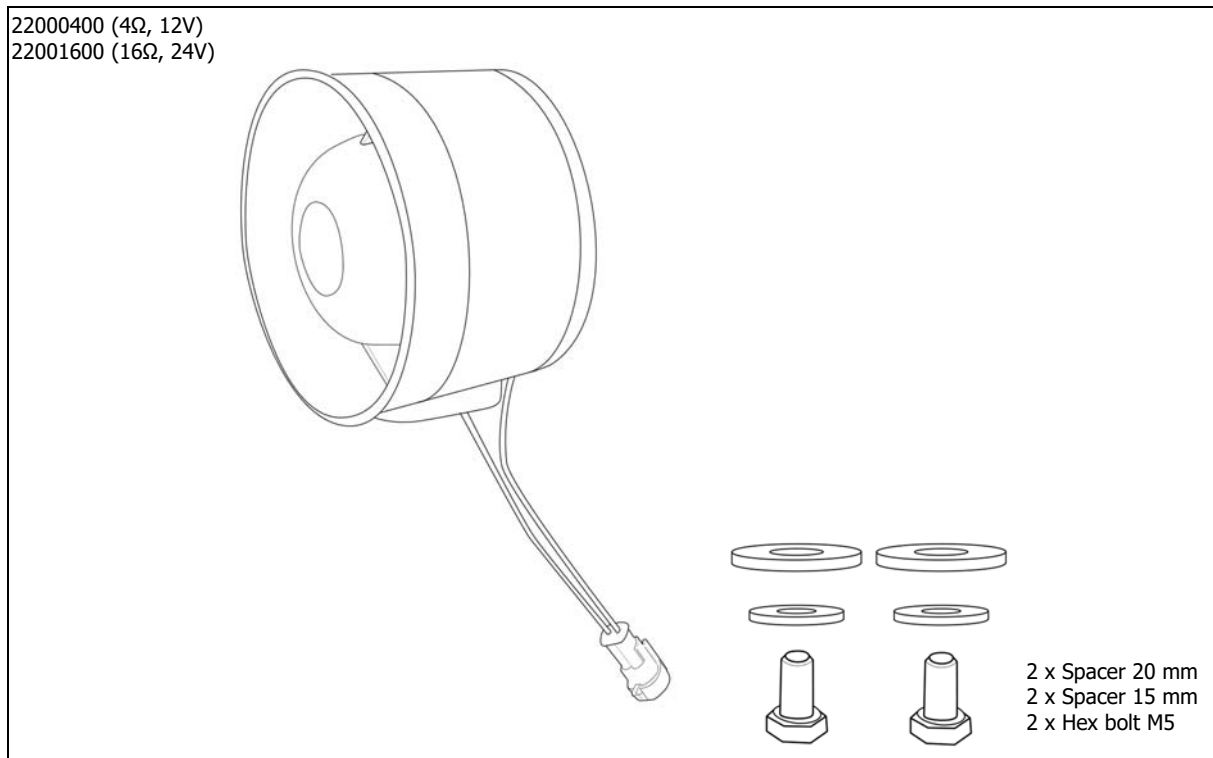
## KSR350

Thank you for choosing a product from Standby.

### Technical Data

Attribute	Units
Dimensions	Ø 109.25 mm x 68 mm
Weight	Approx. 850g
Impedance	4Ω version (for 12V) 16Ω version (for 24V)
Power rating	60W (80WPeak)
Ambient temperature	
- Operating	-25° C to +60° C
- Storage/transport	-40° C to +80° C
Enclosure rating	IP 54
Approval	
- Accoustic	T 046 Lu (Approval valid with siren amplifier MS350 and 2 speakers installed) T 032 Lu (Approval valid with siren amplifier S09 (12V) and 2 speakers installed)

### Included

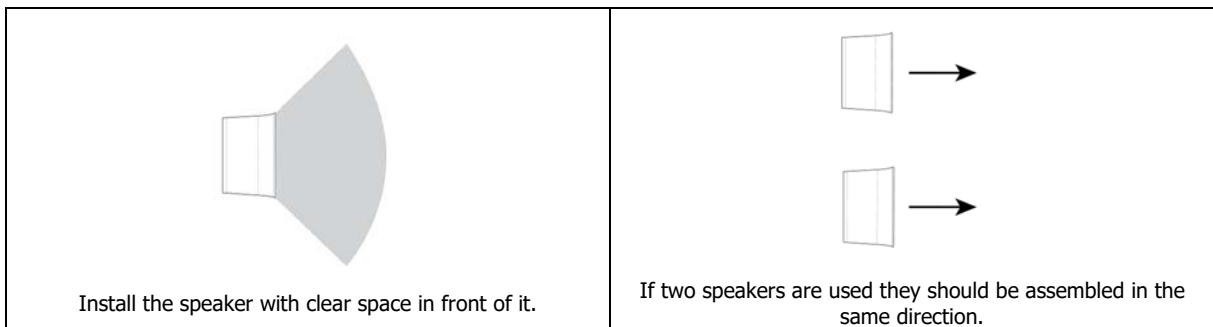
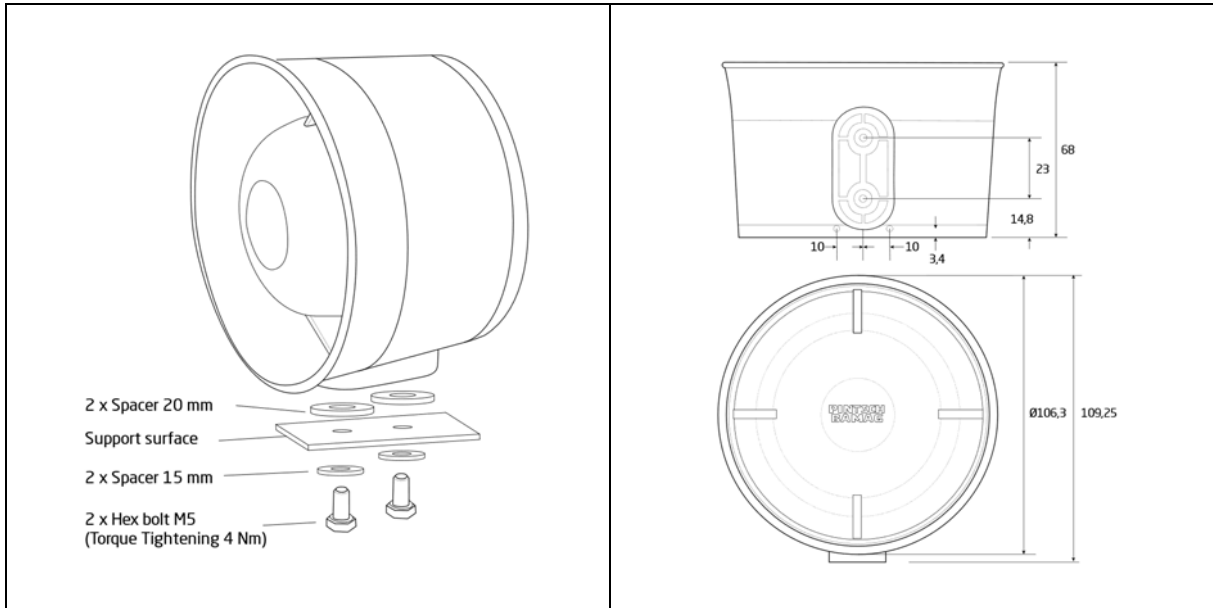


*Mating connector:* AMP Superseal 1.5mm, 2-P Male housing, 282080-1 (not included)

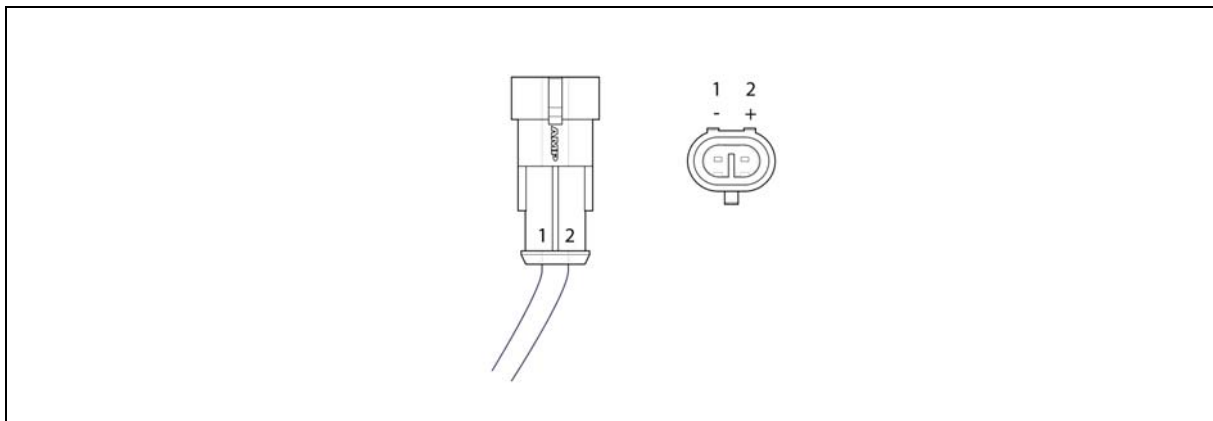
*Mating pin:* AMP Superseal 1.5mm Female Pin, 183025-1 (not included)

*Mating seal:* Cable seal Yellow AMP Superseal 1.7-2.8, 281934-2 (not included)

**Installation**



**Connection**



**Compatible Products**

For more information regarding compatible products: [www.standbygroup.se](http://www.standbygroup.se)

*Standby will not be held liable for improper installation or use of this product. Please follow all instructions provided. Professional advice and proper installation of the Standby products by an authorized Standby Partner are recommended to provide maximum safety and function.*