

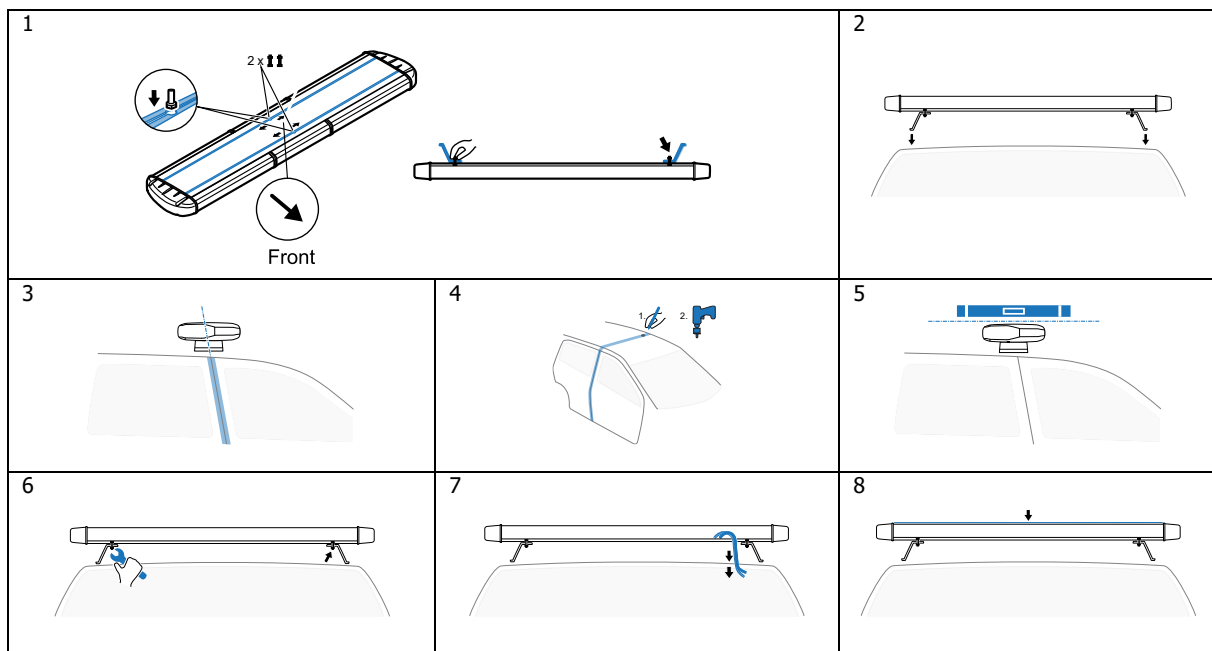
## Vega Lightbar Amber White

Thank you for choosing a product from Standby.


### Technical Data

| Description                 | Units   |
|-----------------------------|---|
| Dimensions                  | 1280 x 67 x 267 mm  |
| Lens                        | Polycarbonate   |
| Color, lens                 | Clear lenses with coating                                   |
| Color, LED, End modules     | White and Amber   |
| Color, LED, Inboard modules | White   |
| Cable length                | 4,5 m   |
| Nominal voltage             | 12 / 24 VDC   |
| Operating voltage           | 11,9 to 15 VDC / 16 to 30 VDC                               |
| Current consumption         | 13A at 13,8 VDC, 6,5A at 27,6 VDC (< 500µA at standby mode) |
| Interface                   | Control panel and hardwire                                  |
| Operating temperature       | -40°C – +85°C   |
| Approvals                   |   |
| - Warning light approval    | ECE R65 I   |
| - EMC                       | ECE R10   |

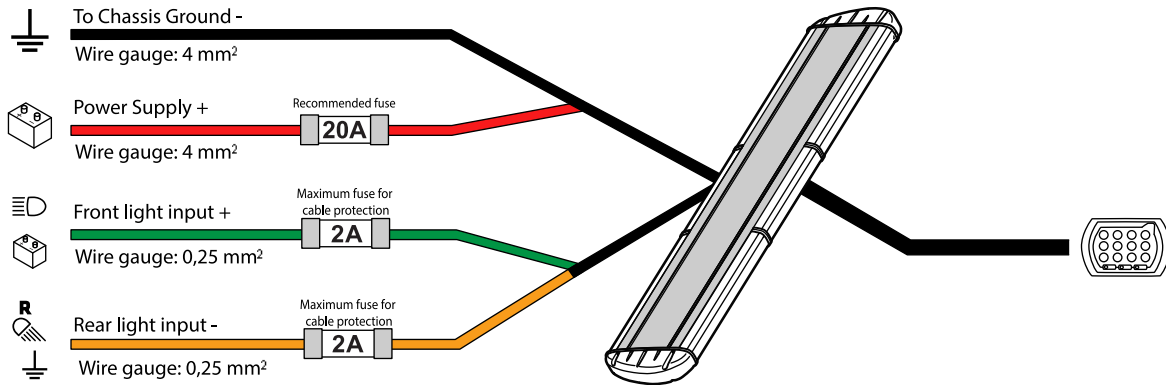
### Installation



### Safety

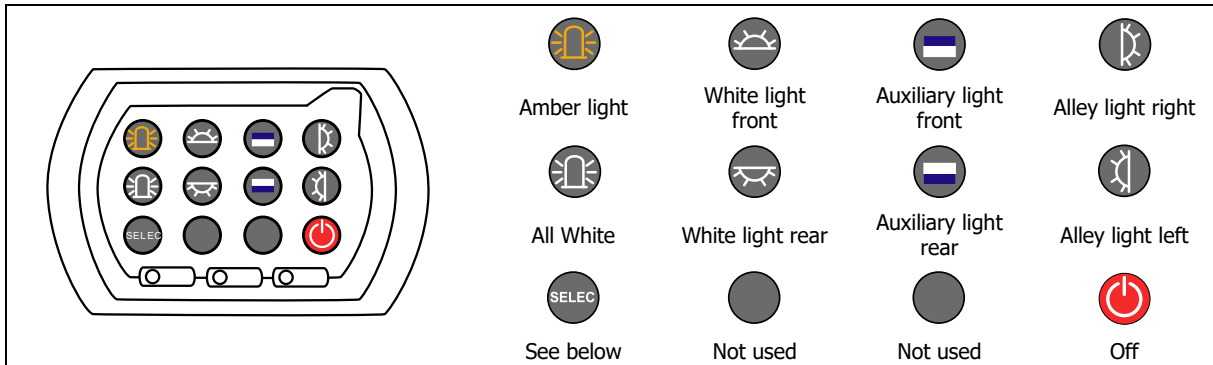
|   |   |
|---|---|
|  | <p><b>Warning</b></p> <p>This product contains high intensity LED devices. To prevent eye damage, do not look into the light beam at close range.</p> |
|---|---|

Connection

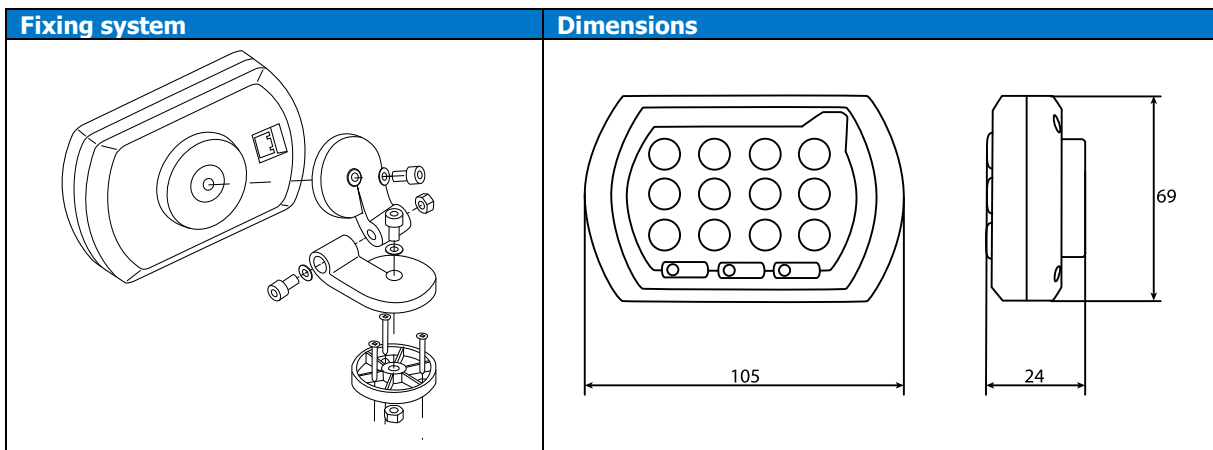


Control Panel Vega Amber White

Press any button to activate the system. Amber has higher priority than white light. When amber light is ON white light are deactivated on both sides.



|  |                        |                   |
|--|------------------------|-------------------|
|  |                        |                   |
| SELEC button chooses how to control the front and rear auxiliary lights. | Mode: Button and Input | Mode: Button Only |



Compatible Products

For more information regarding compatible products: [www.standbygroup.se](http://www.standbygroup.se)

*Standby will not be held liable for improper installation or use of this product. Please follow all instructions provided. Professional advice and proper installation of the Standby products by an authorized Standby Partner are recommended to provide maximum safety and function*