

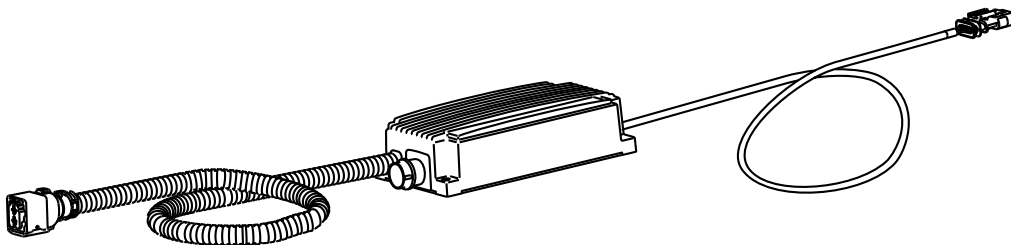
## CAN Battery Charger

Thank you for choosing a product from Standby.

### Technical Data

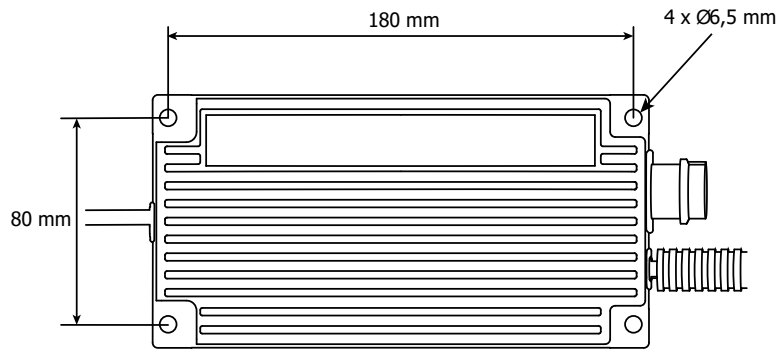
Description	Units
Housing	Aluminum housing
Dimensions	192 x 98 x 49 mm
Weight	2,6 kg
Cable length	0,8 m
<b>AC MAINS DATA</b>	
Mains phase	1 Phase
Mains voltage supply	190-265 V
Mains current at Nominal rated mains (230 V) (max output )	3 A
Recommended mains fuse	10 A
<b>OUTPUT DATA</b>	
System voltage	12 V
Charging voltage	14,4/13,7 V
Max charging current	30 A
<b>ELECTRIC DATA</b>	
Standby power consumption @230VAC	<3 W
Rated Power	450 W
Consumptions from battery	<1 mA
Recommended battery capacity	30-320 Ah
Output ripple	<5 % RMS
Efficiency (at rated power)	90 %
<b>PROPERTIES</b>	
Interface	CAN
Ambient temperature	
- Operating temperature	-40 °C – +50 °C
- Max temp (with reduced capacity)	+70 °C
Cooling	Convection
Short circuit protection	Fuse/Internal (non-replaceable)
Wrong polarity protection	Yes
Enclosure rating	IP56 (Calix connector IP46)
Approvals	
- EMC	ECE-R10

### Included



Fasteners for unit not included  
Calix Inlet Cable MK-serie not included

Installation



Mount to flat surface.

Connection

Calix cable      CAN

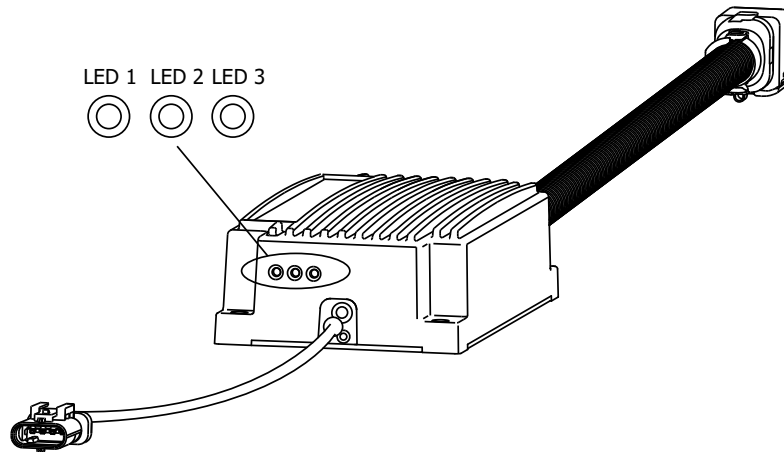
**Battery connector**  
Mating connector: AMP 1-1564544-1  
Mating pin: AMP 2-2112966-2  
Mating wire seal: AMP 1719043-1

Pin	Function
1	Positive
2	Negative

**CAN connector**  
Mating connector: AMP 1-1718645-1  
Mating socket: AMP 7-1452653  
Mating wire seal: AMP 967067-2

Pin	Kabelfärg	Function
1	White	CANL 1
2	Brown	CANH 1
3	Green	CANL 2
4	Yellow	CANH2

LED Indicators



Steps	LED Indicators	Explanation
Start	○ ○ ● - - - -	Charging not started.
1	● ○ ○ ———	Charging in progress.
2	● ○ ○ - - - -	
3	○ ● ○ ———	
4	○ ● ○ - - - -	
5	○ ○ ● ———	Battery full, maintenance charging.

Trouble shooting and service

LED Indicators	Explanation
○ ○ ● - - - -	Charging has not started, possible causes: <ul style="list-style-type: none"> <li>- Low battery voltage.</li> <li>- No battery connected.</li> <li>- Time after start is less then 1 min.</li> <li>- The charger is waiting for CAN.</li> </ul>
○ ○ ● - - - -	Battery temperature >50°C
● ○ ● - - - -	Time error (timeout), the battery is probably too big for the charger.
○ ○ ● ———	Faulty connected

Compatible Products

For more information regarding compatible products: [www.standbygroup.se](http://www.standbygroup.se)

*Standby will not be held liable for improper installation or use of this product. Please follow all instructions provided. Professional advice and proper installation of the Standby products by an authorized Standby Partner are recommended to provide maximum safety and function*