

MS-350 for undercover application



Part Numbers

Control Unit MS-350

5010 8403 005
MS-350 12/24 V

Loudspeaker

5030 8451 007
Loudspeaker K-SR 350, 4Ω

5030 8451 017
Loudspeaker K-SR 350, 16Ω

Accessories

5010 8400 012 Vehicle
Cable set ZKA-3xx

The MS-350 mobile siren system is based on the latest digital switchgear technology and the consistent development of the proven MS-300.

The control unit MS-350 can be used in concealed installation as well as in the Lightbar TOPas and ZIRKON and optionally connected via a data bus or via parallel lines.

Three independently configurable AF inputs (e.g. microphone, radio and line) leave nothing to be desired with voice announcements.

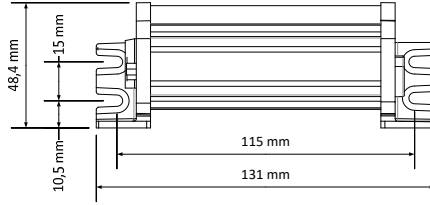
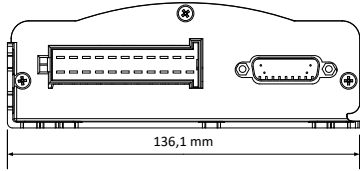
10 control inputs and 2 power outputs. Additional four input / output ports can be configured depending on the application. Thus, for universal use the controller.

The implemented CAN interface can be programmed to the vehicle bus and also allows the use of a universal Public Safety System.

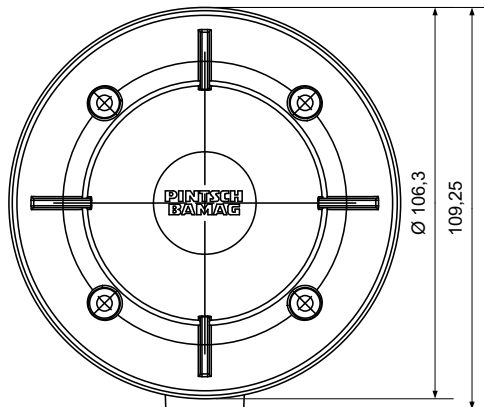
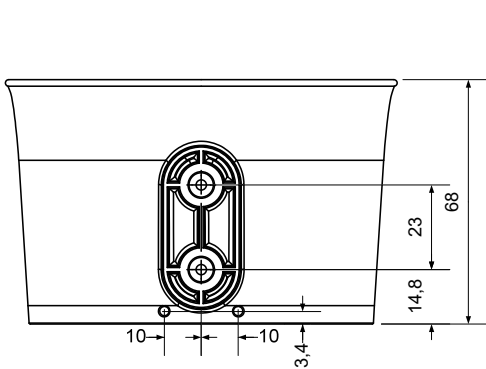
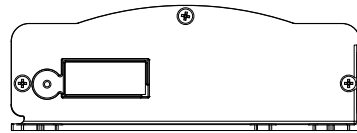
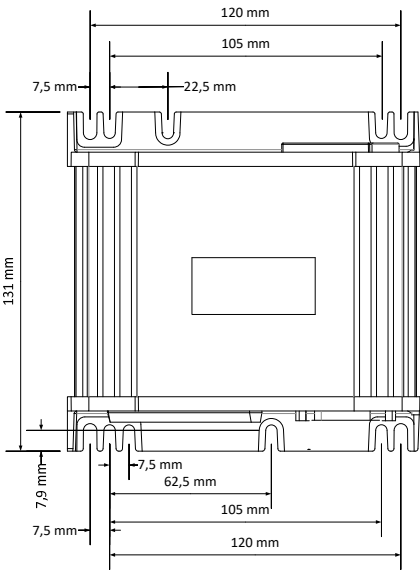
available CAN - protocols:

- CANopen 447
- FireCAN
- Proprietäre Protokolle

MS-350 for undercover application



Dimensions and Mounting Dimensions MS-350 Control unit



Dimensions and Mounting Dimensions Loudspeaker K-SR 350

MS-350 for undercover application

TECHNICAL DATA MS-350	
nominal voltage	12 / 24 V _{DC}
operating voltage	10.8 ... 14.4 V _{DC} / 21.6 ... 28.8 V _{DC}
limit voltage	-32 ... +32 V _{DC}
current consumption: - in standby mode - maximum	< 500 µA max. 5 A (without beacon)
ambient temperature: - in operation - storage / transport	-25 °C ... +70 °C -40 °C ... +85 °C
output power	12V: 2 x 50 W (120 W max) 24V: 2 x 80 W (200 W max)
dimensions	44.6 mm x 136.6 mm x 131 mm
weight	approx. 400 g
protection class	IP 54
inputs	9 x <20 mA; programmable, High-Side 1 x <20 mA; programmable, Low-Side
outputs	2 x <6 A; programmable 1 x <2 A; programmable, also usable as input
approvals: - acoustic - EMC	W 25050 E1 047152

TECHNICAL DATA K-SR 350	
impedance	4 Ω (12V) / 16 Ω (24V)
power rating	60 W (80 W Peak)
ambient temperature: - in operating mode - storage / transport	-25 °C ... +60 °C -40 °C ... +80 °C
dimensions	Ø 109.25 mm x 68 mm
weight	approx. 850 g
protection class	IP 54
colour	black

Sound pressure level in 3.5m

with 2 x K-SR 350
121dB (A)

with 1 x K-SR 350
115dB (A)

TOPas with 2 Loudspeaker
119dB (A)

ZIRKON with 2 Loudspeaker
120dB (A)

Signals:

- all common signals for D, A, CH, F, I, NL, N, S and US signals
- digital compressor signal
- more programmable, if required

AF-Inputs

- 3 independent AF inputs
- configurable gain (0 - 45 dB)

subject to change
without notice

MEMBER OF STANDBY GROUP

STANDBY®
When attention matters.