

P4 - Manual

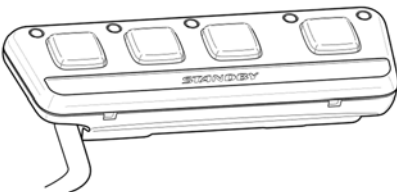
Thank you for choosing a product from Standby.

Technical Data

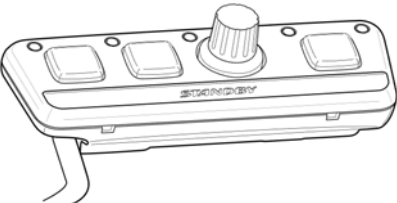
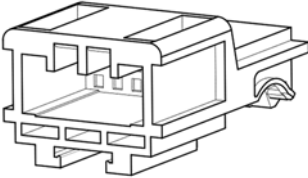
Description	Units
Housing	PC/ABS
Cable length	100 cm
Supply voltage	+10-30VDC
Dimensions	98 x 33 x 19 mm
Recommended fuse	1A
Interface	CAN
Ambient temperature	
- Operating	-40 to +80
- Storage/transport	-40° to +85°
Current consumption max	100mA at operation (0,15mA at standby mode)
Tests performed	Tested according to applicable parts of SS-ISO_16750-3 and SS-ISO_16750-4_2010
Approval	ECE R10

Included

4 Button version

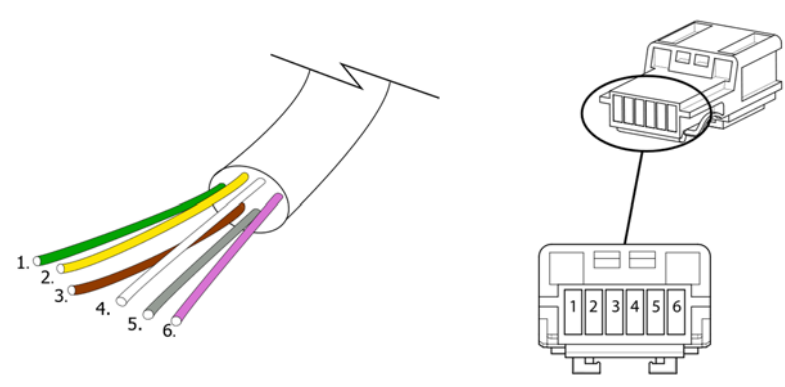


3 Button version

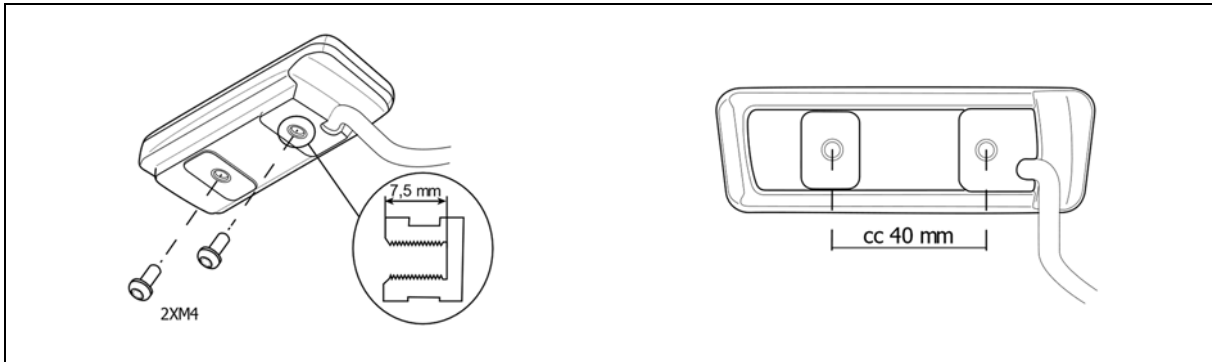
Connector: JAE IL-AG5-6P-S3C1
 Pin: JAE IL-AG5-PC1-5000
 Mating connector: JAE IL-AG5-6S-S3C1 (Not included)
 Mating sleeve: JAE IL-AG5-C1-5000 (Not included)

Connection

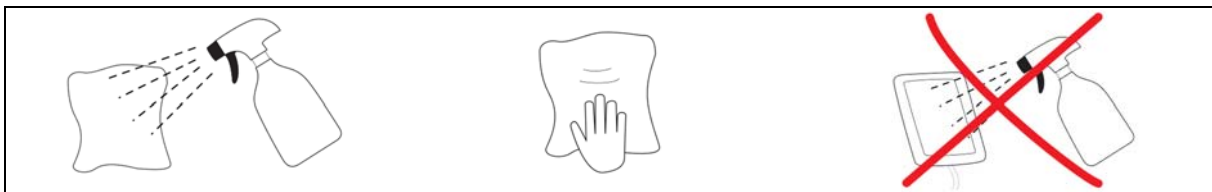


1.	Green	CAN Low 1
2.	Yellow	CAN High 1
3.	Brown	CAN Low 2
4.	White	CAN High 2
5.	Grey	Ground
6.	Pink	+10-30VDC

Installation



Cleaning Instruction



- Switch off the screen / device and wait for it to cool down
- Use a clean microfiber cloth. Avoid rough cloths, towels, paper towels and similar items.
- Moisten the microfiber cloth with a little water, for stubborn stains a screen cleaner designed for computer screens can be used.
- Wipe slow and gentle to avoid damage, wipe dry with a dry microfiber cloth.
- Do not spray water / screen cleaner directly on the unit. Never use a soaked cloth. This prevents moisture from entering the unit.

Compatible Products

For more information regarding compatible products: www.standbygroup.se

Standby will not be held liable for improper installation or use of this product. Please follow all instructions provided. Professional advice and proper installation of the Standby products by an authorized Standby Partner are recommended to provide maximum safety and function