

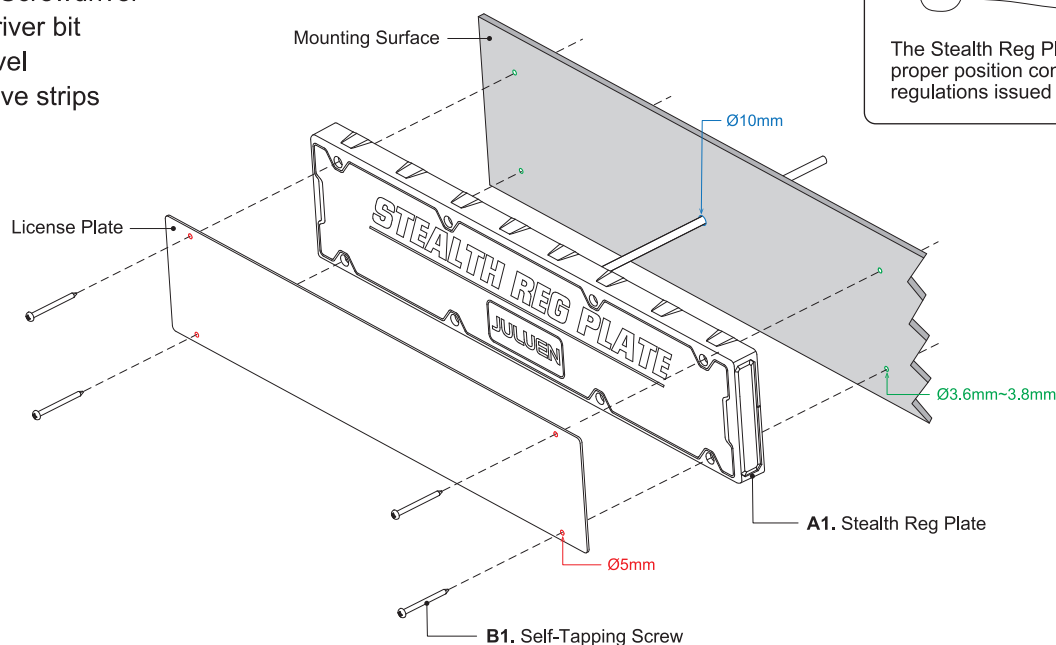
REG PLATE WARNING UNIT MANUAL

Contents:

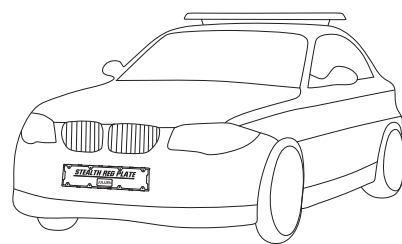
- A1 • Reg Plate Warning Unit x 1 pc
 B1 • Self-Tapping Screw x 4 pcs

Tools Required (User Supplied):

- 1 • Electric drill
- 2 • Drill bit
- 3 • Electric Screwdriver
- 4 • Screwdriver bit
- 5 • Spirit level
- 6 • Adhesive strips



Application Example



The Stealth Reg Plate may be mounted at its proper position conformity to the laws and regulations issued by competent authority.

INSTALLATION

Proper installation of the product requires the installer to have a good understanding of automotive electronics, systems and procedures. It is essential to install the unit properly to ensure safe and reliable operation. Please read through all instructions thoroughly and carefully before installing the unit. Failure to follow these instructions could result in serious damage to the unit or vehicle and may void the warranty.

Before Installation

1. Remove the license plate from the vehicle and clean the reversed side and the mounting surface thoroughly.
2. Prepare tools and components required for installation.

Preparing License Plate

3. Place the Unit onto the license plate; align all four corners. Hold firmly and mark four mounting holes on the reverse side of the plate. Remove the license plate and drill four Ø5mm mounting holes from the reverse side of the license plate.

Preparing Mounting Surface

4. Mark the centre between the license plate mounting holes on the vehicle body.
5. Drill one Ø10mm cut-out at the centre mark.
6. Feed the cable through the cut-out and route it towards the control panel or switches.
7. Place the Unit onto the vehicle body and use a spirit level to ensure that the plate is level. Hold firmly and mark four mounting holes on the vehicle body (you may choose any four of the eight mounting holes).
8. Drill four Ø3.6mm~3.8mm pilot holes for later use.

Assembling License Plate onto Stealth Reg Plate

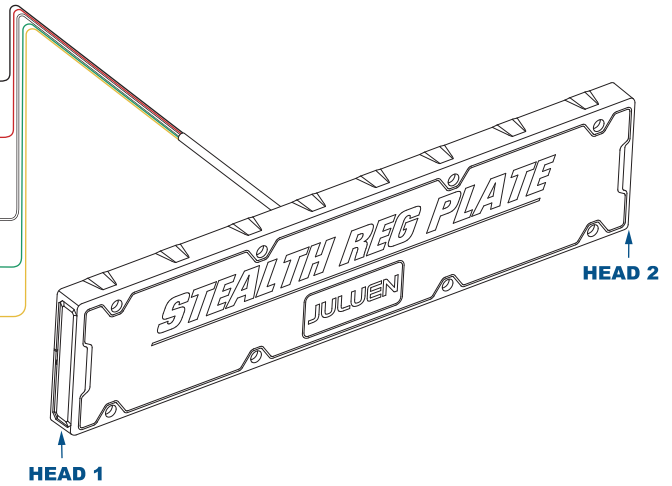
9. Apply adhesive strips to the the reverse side of your license plate.
10. Align four mounting holes to the Unit, remove the back film from adhesive strips and paste the license plate onto the front of the Unit.

Assembling Stealth Reg Plate onto the Mounting Surface

11. Align the Unit to the mounting surface, use the supplied screws and secured the assembly onto the mounting surface.
12. Make wiring according to the wire function (see the reverse page).

WIRING

- To Chassis Ground:..... **BLACK**
- To +VDC for R65 Warning Mode..... **RED**
(Fuse Rating @ 3A)
- For Low Power Operation **WHITE**
- For Synchronization and Flash Pattern (HEAD 1) **GREEN**
- For Synchronisation and Flash Pattern (HEAD 2).. **YELLOW**



OPERATION

For Flash Pattern Selection:

Warning mode may select and save one flash pattern. While activating the warning mode, momentarily apply **GREEN** (for HEAD 1) or **YELLOW** (for HEAD 2) wire to **+VDC**:

- once to next pattern.
- quick three times to FP#0. (Refer to Flash Pattern Chart)

NOTE: FP#0 is not available for flash pattern rotation.

For Simultaneous or Alternating Flash:

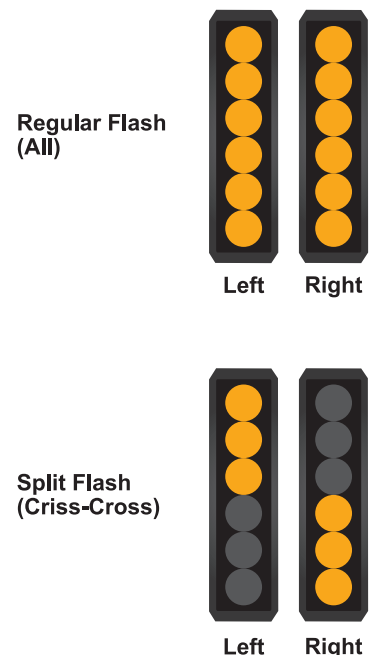
1. Enter SETTING MODE by powering up with **RED** and **GREEN** (for HEAD 1) or **YELLOW** (for HEAD 2) wires simultaneously; the lighthouse will display short flashes (single or double).
 - Single flash = Group 1
 - Double flash = Group 2
2. Remove **GREEN** (for HEAD 1) or **YELLOW** (for HEAD 2) wire from **+VDC** then momentarily apply to **+VDC** again to change Groups.
 - Both lightheads in the same Group will flash together.
 - Two lightheads in the different Groups will flash alternately.
3. Save and exit SETTING MODE by disconnecting all power.

For Synchronisation:

Connect **GREEN** and **YELLOW** wire together for synchronisation. (All lightheads should be set to the same flash pattern.)

NOTE: You may also connect sync wires of other compatible lightheads together for synchronisation.

Flash Pattern Chart				
0	Quad	(split)	16	Single H/L
1	Double	[R65]	17	Single-Triple-Quint
2	Single	[2Hz]	18	Half-Steady-Half-Double (split)
3	Triple	[2Hz]	19	Single (split)
4	Quad	[2Hz]	20	Double (split)
5	Random		21	Triple (split)
6	Steady / Cruise		22	Quad (split)
7	Single	[SAE/CA13]	23	Quint (split)
8	Double	[SAE]	24	Mega (split)
9	Triple	[SAE]	25	Giga (split)
10	Quad	[SAE]	26	Ultra (split)
11	Quint	[SAE]	27	Single-Quad (split)
12	Mega		28	Single H/L (split)
13	Giga		29	Single-Triple-Quint (split)
14	Ultra	[SAE]	30	Steady-Dim*
15	Single-Quad			



(split) = criss-cross split flash

* Use for compatible external flasher only.