



# STEALTH REG PLATE



## FEATURES

- Pre-assembled Dual Stealth REG Plate System for Euro style vehicle reg plates.
- Certified ECE R65 Class 2 high performance.
- Approved ECE R10 EMC Compliance.
- Flexible rubber body to fit most vehicle surface.
- 3-meter cable for easy wiring installation.
- Synchronised Criss-cross Split Flash as standard.
- Fully IPX7 weatherproof and vibration resistant design.
- Reverse polarity and load dump protection.

Smoked Lens

Clear Lens



## PRODUCT CODE

### REG-AXC-03

Amber Stealth REG Plate

### REG-BXC-03

Blue Stealth REG Plate

### REG-BXS-03

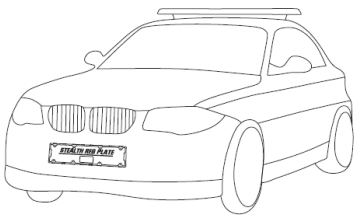
Blue Discreet Smoked REG Plate  
R65 Class:1 only

## SPECIFICATIONS

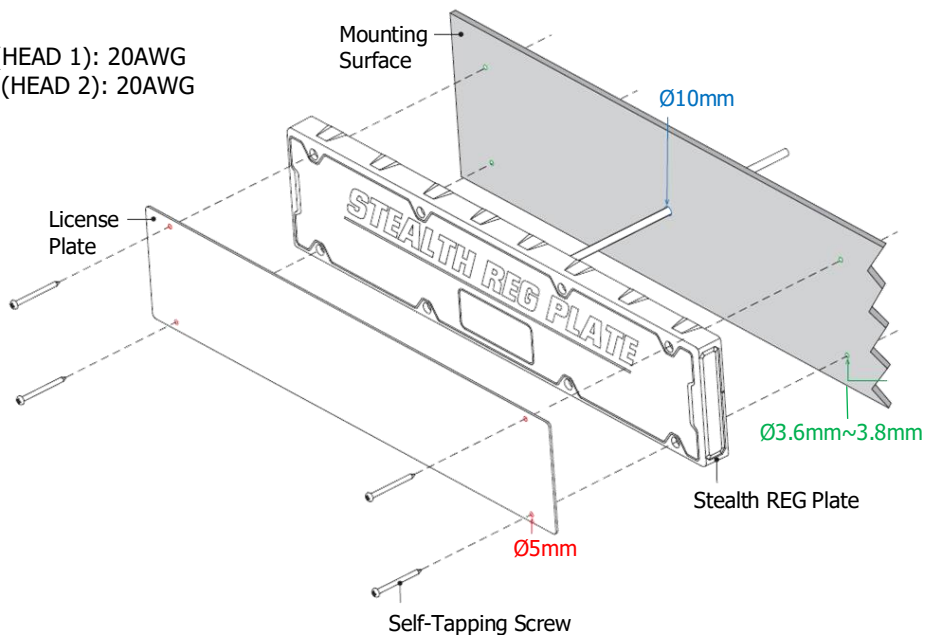
*Compliance:* ECE R65 (XA2, XB2); ECE R10  
*LED Element:* High intensity LED x 6/head (total 12 LED's)  
*Operating voltage:* 12~24vDC  
*Avg. Current:* 1.2A@12vDC / 0.6A@24vDC  
 (varies with flash pattern)  
*Max. Current:* 2.4A@12vDC / 1.2A@24vDC  
*Avg. Power (varies with flash pattern):* 14.4W  
*Max. Power:* 28.8W  
*Wires:* **Red** - Vcc: 20AWG  
**Black** - GND: 20AWG  
**Green** - Flash Patterns & Sync (HEAD 1): 20AWG  
**Yellow** - Flash Patterns & Sync (HEAD 2): 20AWG  
**White** - Low Power: 20AWG

*Cable Length:* 300cm  
*Fuse Rating:* 3A  
*Synchronisation:* Up to 15 Lighthead  
*Storage Temp. (°C):* -40° ~ +75°  
*Working Temp. (°C):* -20° ~ +60°  
*LED Colour:* **Amber, Blue**  
*Lens Colour:* Clear  
*Warranty:* 5 years

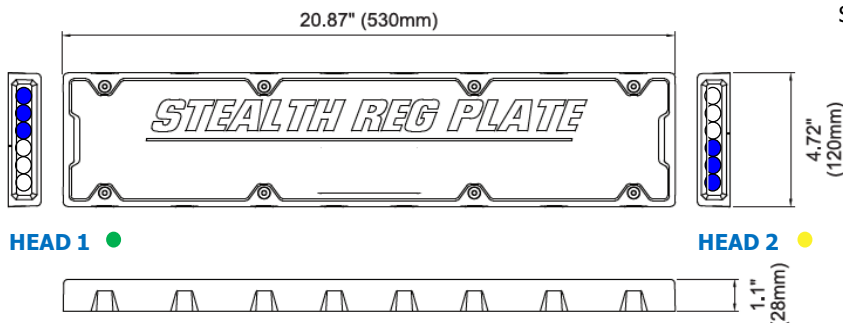
## Application Example



The Stealth Reg Plate may be mounted at its proper position conformity to the laws and regulations issued by competent authority.



## DIMENSIONS



**Note:** For Health Safety reasons a blue light 'always' needs to be seen either side of the vehicle when approaching / exiting a junction. Therefore this unit is supplied with factory set flash pattern - Split Flash Quad (Criss-Cross).