

Panic Button

autoeyeXpert

PRO SERIES

LED Panic Button/Indicator Kit for Pro Series DVR's

Part number: AEX-ST-ACC-493

KEY FEATURES

- LED indicators show live status of connected DVR and also separate audio and video recording indicators
- Large red button allows quick easy access
- Button can create timeline markers, and initiate special functions

DESCRIPTION

The AEX-ST-ACC-493 LED panic button can be used with Pro Series DVR's to provide live status indication of the DVR functions, and provide an easy way to create video timeline markers and initiate special functions for emergency use. It connects to the DVR via an RS485 and latched DVR alarm output connections which provides power for the LED's and data communications for the indicator and button functions.

The LED's indicate power, configurable sensor alarms, overall recording status, separate recording status for audio and video, and error alarms.

The momentary push button is configurable and in its most basic state acts as a time/date marker for events on the recording timeline. It can also be used to initiate recording, create an alarm state, and initiate live streaming via a connected server.

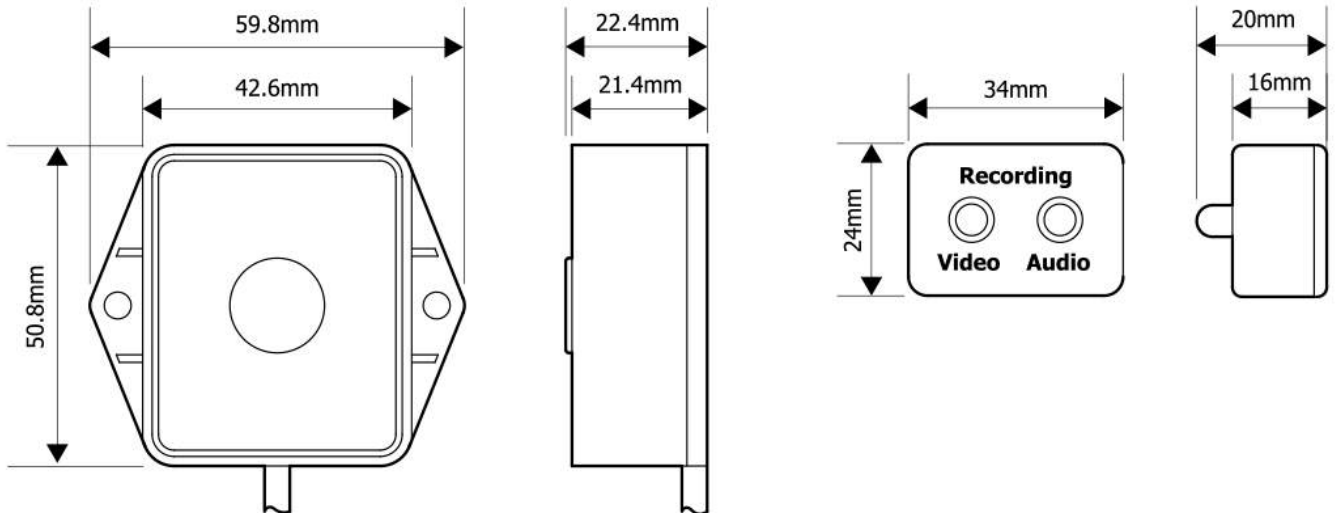
The button features two additional LED's for separate indications of audio and video recording for installations where visual alerts for conversation privacy are required. This helps customers to comply with ICO requirements for conversation privacy and when used with our special DVR firmware can be made to only record audio in specific alarm or event conditions. For example, only when a blue lightbar or "AAS" (arrive at scene) is set.



SPECIFICATION

MODEL	AEX-ST-ACC-493	
Ports	Port Form	Small 5559 port 4P
	Port Number	1
Power	Power Consumption	≤ 0.4W
	Input Power	DC5V/12V
Others	LED	PWR/ALM/REC/ERR
	Dimensions (mm)	59.8 x 50.85 x 22.4
	Weight	35g
	Operating Environment	Working Temperature: -40°C ~ +70°C Storage Temperature: -40°C ~ +85°C Working Humidity: 10% ~ 90% RH Non-condensing Storage Humidity: 5% ~ 95% RH Non-condensing

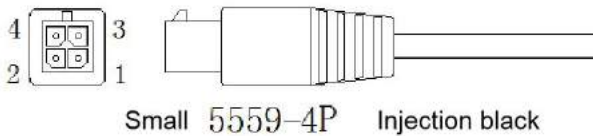
Dimensions



PRINT DESCRIPTION

NUMBER	PRINT	DESCRIPTION
1	PWR	Blue: Light is on when power is on, and light is off when power is off
2	ALM	Red: Light is on when there is alarm, and light is off when there is no alarm
3	REC	Green: Light is on when recording, and light is off when there is no recording
4	ERR	Orange: Light is on when there is malfunction, and light is off when it works well

CABLE DEFINITION



Diagram

Small	5559-4Pin	TJC3-4P-P1.25	
485B	2	4	Brown and white
485A	3	3	Brown
GND	4	2	Black
+5V	1	1	Red