

# Vehicle Video Camera

autoeyeXpert

## PRO SERIES

### PON Forward Facing Camera with Audio

AEX-ST-VMC-C2F

#### DESCRIPTION

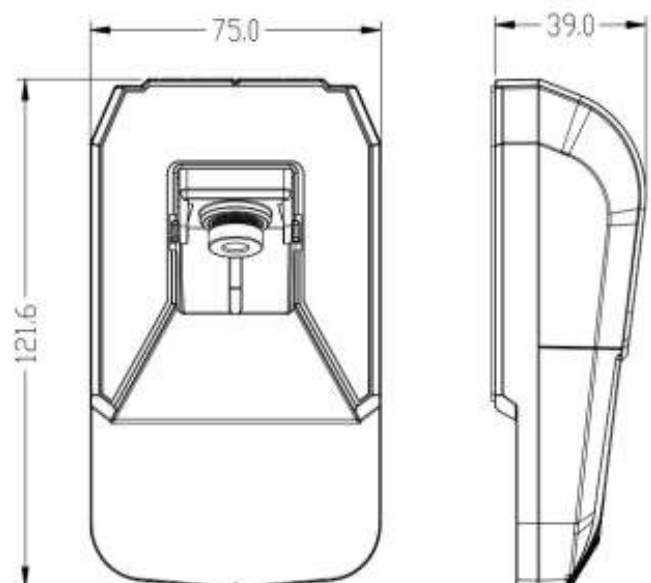
The Standby RSG AEX-ST-VMC-C2F camera is designed for mounting on front or rear windscreens. The 1080P high definition output signal uses a PON IP network connection for compatibility with our "Pro" series of DVR's. It includes a high quality audio microphone which is specially tuned to focus on human speech whilst blocking out noise from engines etc. The high sensitivity camera sensor operates down to 0.05 lux without any additional lighting required, and with headlights this produces great colour images even at night. A standard 6-pin aviation connector ensures compatibility with our extensive range of PON camera extender cables. The camera can be used as a straight-forward CCTV imaging camera or can have its functionality extended via an AI add-on module which delivers enhanced ADAS functions such as bus-lane enforcement etc.

#### KEY FEATURES

- Easily fixed to front or rear windscreen
- Shroud housing to reduce reflection from dash lights
- 1080P high definition with PON IP output
- Built-in microphone
- Connects to Pro Series DVR's and optional ADAS AI processor



#### DIMENSIONS



## Specification

Model	AEX-ST- VMC-C2F
Sensor	1/2.8" 2M Pixel CMOS
Resolution	1920(H) x 1080(V)
Minimum Illumination	0.05Lux (Colour Illumination), F1.2
Electronic Shutter	1/30 second - 1/10000 Second
Back Light Compensation	Support
S/N	≥48dB
Lens	2.8mm, 4mm, 8MM M12, Fixed aperture F1.8
FOV	2.8mm = H*V 106*57°, 4mm = H*V 84*46°, 8mm = H*V 36*20°
Video Compression	H.264, H.265
Compression Output Rate	512Kbps-8Mbps
Image Resolution	Main Stream: 1080P (720P optional) @ 30fps. Sub Stream1:VGA/WD1/D1/QVGA/CIF @ 30fps Network Stream: Dynamic (adjustable)
CBR/VBR	Support
Audio Compression Standard	ADPCM, G.711A, G.711U, G.726
Network Port	10M/100M adjustable Ethernet Port
Network Protocol	TCP/IP, HTTP, DHCP, RTSP, NTP, FTP
N9M	Support
ONVIF	Support
Client Terminal Preview	Built-in WEB Server; Support IE browser
Installation Method	Stick to the windshield of the vehicle
Temperature	-40°C to +70°C
Humidity	0%-90%
Power Supply	DC 12V (PON, POE (802.3af))
Waterproof Class	IP69K
Power	PON<2.5W, POE<3.5W
Dimensions	121.6mm(L) x 75mm(W) x 39mm(H)