

Vehicle Video Camera

autoeyeXpert

PRO SERIES

External/Internal Mini Dome Camera

AEX-ST-VMC-CM8I - without audio, AEX-ST-VMC-CM8AI - with audio

DESCRIPTION

This versatile high-definition camera can be used in numerous mobile CCTV applications, both inside and outside the vehicle, thanks to its IP67 ingress protection.

The camera features a 1080P output signal over analog AHD for direct compatibility with the Standby RSG range of digital video recorders. There is an audio option which includes a high quality built-in microphone and analog audio output.

The clever ball design of the camera head provides full rotational alignment to orientate the image, and has around 62 degrees of tilt adjustment making it easy to obtain the perfect perspective in almost any mounting location. For installations where even more adjustment is required optional mounting wedges are available to extend and angle the camera head even further. A 2.8mm wide angle lens ensures all lanes of a motorway are visible when used in front or rear facing positions, and if used internally, is able to cover a number of seating positions in a typical vehicle layout. Other lens sizes are available on request.



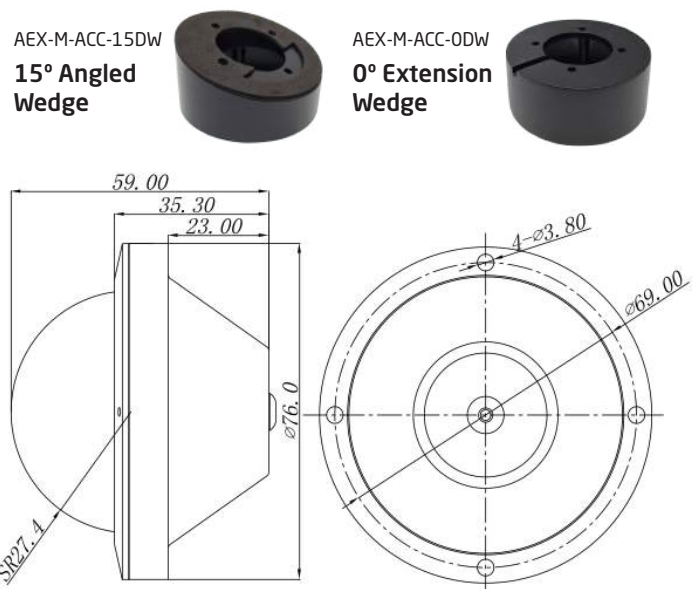
APPLICATIONS

Typical applications include:

- External side mounting on ambulances, fire trucks, HGV's and LGV's
- Internal monitoring of goods-in-transit, driver or passenger
- Locations subject to precipitation or jet spray
- Installation with long cable lengths

KEY FEATURES

- 2MP Sony CMOS sensor
- 1080P high definition output
- Highly flexible mounting and angle adjustment
- Auto day/night infra-red LED switching
- IP67 ingress protection for external (non-audio)
- Wide operating temperature range from -10°C to +50°C



Specification

Model	AEX-ST- VMC-CM8I/CM8AI
Pick Up Device	1/2.9" CMOS Sensor Sony291
TV System	PAL
Picture Elements	1960(H), 1080(V)
Effective Pixels	2.0M pixels
Day/Night Mode	External control (default) / auto / colour / black and white
Infrared Spectrum	850nm
S/N Ratio	More than 50dB, (AGC Off)
Auto Gain Control	Auto
White Balance	Auto
Electronic Shutter	Auto / 1/50 (1/60) - 1/100,000sec
Back Light Compensation	Auto
Infrared LED	10 LEDs
Infrared LED Range	5m
Video Output	1 Vp-p, 75 Ω composite, 4 ways Din Jack x 1
Audio Output	CM8I - N/A, CM8AI - 4 ways DIN Jack
Lens	Standard f2.8mm fixed megapixel lens
Lens Mount	M12XP 0.5mm thread
Tilt Adjustment	0-62°
Power Supply	12V DC ± 10%
Power Consumption	170mA
Dimensions	76mmø x 59mm high
Net Weight	206g
Weatherproof	CM8I - IP67, CM8AI - N/A
Operating Temperature	-10°C to +50°C

Note: Input voltage exceeding the nominal rating by over +/- 10% will cause abnormal operation.

This camera needs to connect to a MDVR or DVR that supports the TVI system.

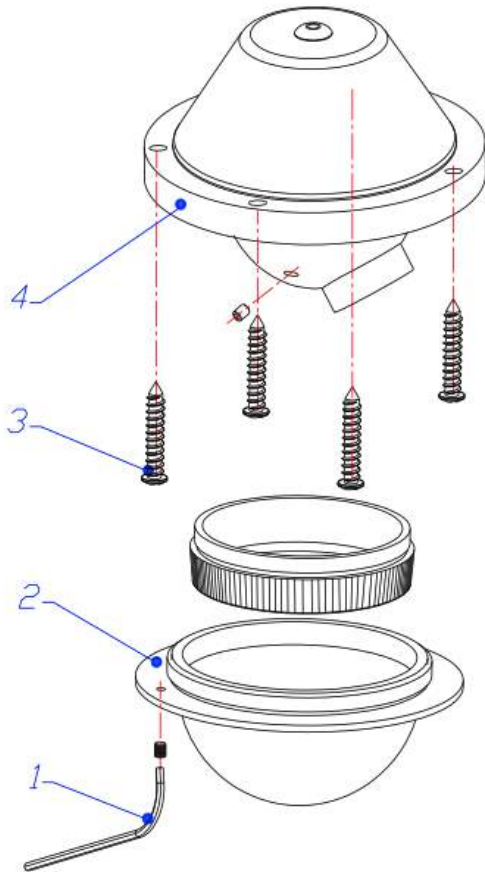
Specification are subject to change without prior notice.

Packing List

Item	Quantity
Camera	1
Instruction Manual	1
Hex-key	1
Mounting Screws	4
Mounting Plugs	4

Installation Guide

FIGURE 1



1. Use the hex key supplied (1) to loosen the hexagon socket screw (3) then unscrew the top cover (2).
2. Attach the mounting base (4) to the wall or ceiling. Use the screws supplied (3) to fix the camera in position - a firm mounting surface is essential for a stable installation.
3. Connect the 4-way male DIN Jack to the female Jack on the cable.
4. Adjust the camera position by loosening the inner knurled ring (6) adjust the focus by loosening the focus-lock screw (5).

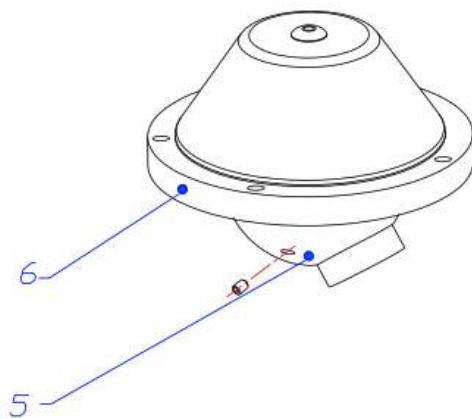
FIGURE 1

Shows the camera flush-mounted eg. on a ceiling tile where the surface can be cut out to accommodate the back of the camera housing (4).

FIGURE 2

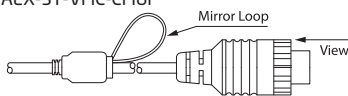
Shows the method for panning and tilting the camera. Loosen the locked ring (6) and position the camera as required.

FIGURE 2



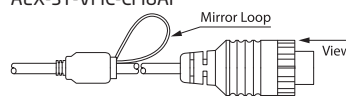
CONNECTIONS

AEX-ST-VMC-CM8I



- | | |
|---|-----------|
| 1 | DC12V (+) |
| 2 | GND (-) |
| 3 | N/A |
| 4 | Video |

AEX-ST-VMC-CM8AI



- | | |
|---|-----------|
| 1 | DC12V (+) |
| 2 | GND (-) |
| 3 | Audio |
| 4 | Video |