



OPERATION OF THE RSG AUTO RECALL TYPE AUT-110

Introduction

The RSG Auto Recall amplifier is designed to operate in conjunction with the range of RSG Illuminated Roof Signs or stand alone speakers. The unit provides both a regular Public Address facility as well as a Solid State memory chip that can store a message up to 45 seconds long and will continuously repeat the message at pre-set intervals.

Using the Auto-Recall as a **PUBLIC ADDRESS** facility

Plug the microphone into the **MIC** socket and set the **MODE** switch to **PA** for Public Address. Adjust the volume as required. Press the pressel bar to speak holding the microphone no more than 3 inches from your mouth. If the microphone is in close proximity to the loud speakers, 'howl-round' may occur and in this event the volume should be reduced.

1. **RECORDING & ERASING** a message:

To **RECORD** a message:

Press and hold the pressel bar, the **BLUE LED** light will be **ON** for about 1 second (ie. to erase the previous recorded message). The **LED** will then turn **RED**, your announcement can then be recorded.

To **ERASE** the recorded message:

Press (click) the pressel bar, the **BLUE LED** light will be **ON**. The previous recorded message will be **ERASED**.

2. **PREVIEWING** the recorded message:

In order to check your message before public broadcast set **MODE** switch to **PRE** for Preview then press the pressel bar to activate the replay of your recorded message through the **INTERNAL** speaker.

3. **BROADCASTING** your message **ONCE**:

Set mode switch to **SB** for Single Broadcast, press the pressel bar to activate broadcast and adjust the volume control as required.

4. **BROADCASTING** your message **CONTINUOUSLY**:

Set mode switch to **CB** for Continuous Broadcast, press the pressel bar to activate broadcast and adjust the volume control as required. Set the **DELAY** switch to control the interval between broadcasts. The **'-'** indicates 1 second time delay between broadcasts while **'+'** indicates 60 seconds between each broadcast.

Broadcasts will continue until the **MODE** switch is moved to an alternative setting.

5. **AUXILIARY** switch operation:

If the unit is used in conjunction with an Illuminated Roof Sign containing flashing beacons, then the **AUX** switch will activate them.



MOUNTING OF THE RSG AUTO RECALL TYPE AUT-110

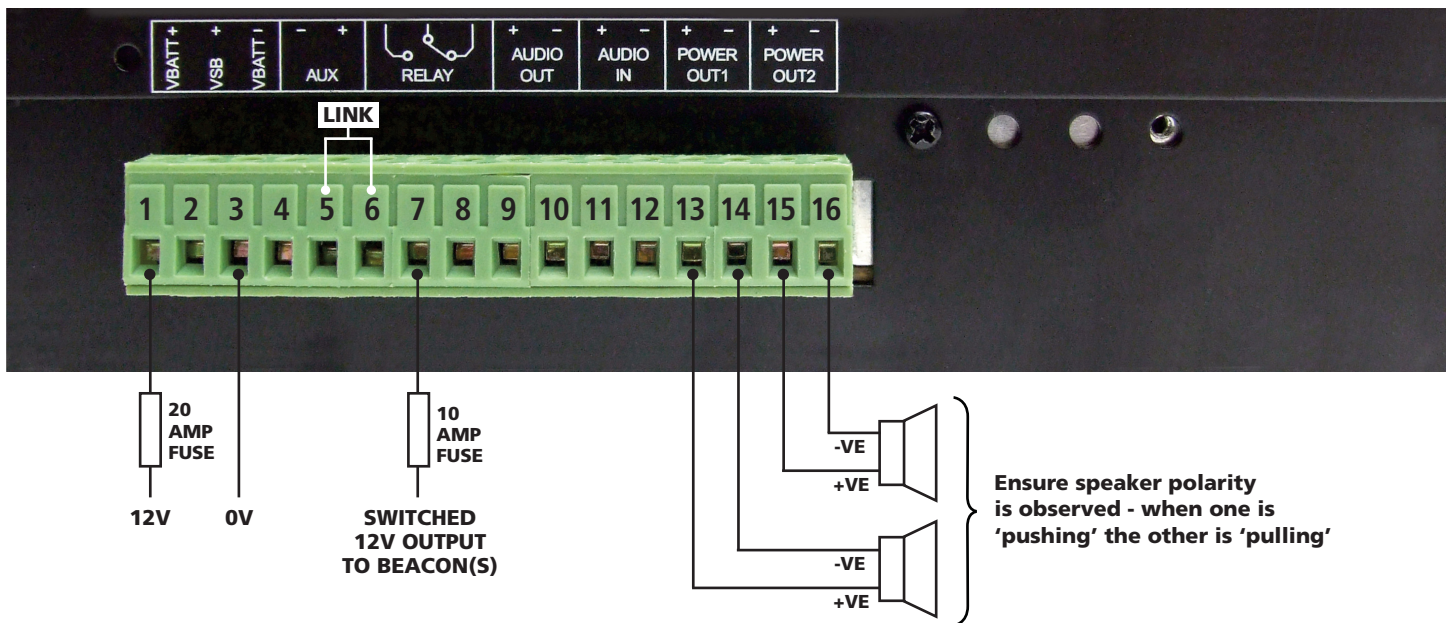
To reduce the likelihood of 'earth loop' noise the 'U' shaped mounting bracket must be isolated from the main enclosure by the nylon mounting bolts and washers.

TERMINAL DESIGNATION OF THE RSG AUTO RECALL TYPE AUT-110

The RSG Auto Recall Unit is suitable for operation from a negative earth system with a 12volt DC supply (vehicle voltage normally 13.3 volts), and 24 volt DC supply when a voltage converter is fitted. The DC supply, the electronic signal inputs and outputs together with the switching for the Illuminated Roof Sign is via the plug and socket at the rear of the unit, connections are as follows:

- 1 Positive supply input - This supply should be fused with a 20 amp fuse and use of 2.5mm cable.
- 2 Not used
- 3 Negative supply input
- 4 Auxiliary negative - Not normally used.
- 5 Auxiliary positive - This is connected to terminal 6 via a factory fitted 'shorting' link to provide a positive feed to the internal switching relay 'normally open' contact.
- 6 This is a 'normally open' contact on the internal relay and is controlled from the switch on the front panel and is used to provide a switched positive supply to flashing beacons in an Illuminated Roof Sign or independent beacon if either of these devices are fitted.
- 7 This is the 'common' contact on the internal relay and is used to provide a positive feed directly to flashing beacons in an illuminated Roof Sign or independent beacon if either of these devices is fitted. This lead should be fused with a 10amp fuse.
- 8 This is the 'normally closed' contact on the internal relay, and is not normally used, but can provide alternative switching if required.
- 11 Provides an audio signal output at 100 m/volts for use with other electronic equipment such as power amplifiers. Not normally used in a standard install.
- 12 Auxiliary negative for audio signal output. Not normally used in a standard install.
- 13 Provides an audio signal input to the unit from an alternative source, such as a tape recorder. The signal level required is 100 m/volts. Not normally used in a standard install.
- 13&14 Output from the first power amplifier. This is a balanced output where 13 is +ve going signal and 14 is -ve going signal
- 15&16 Output from the second power amplifier. This is a balanced output where 15 is +ve going signal and 16 is -ve going signal

SCHEMATIC OF AUTO RECALL UNIT TO EXTERNAL SPEAKERS AND BEACONS



Only use connections shown. All other connections not normally used.



APPLICATION NOTE: WHEN DEVICE IS USED WITH LED BEACONS

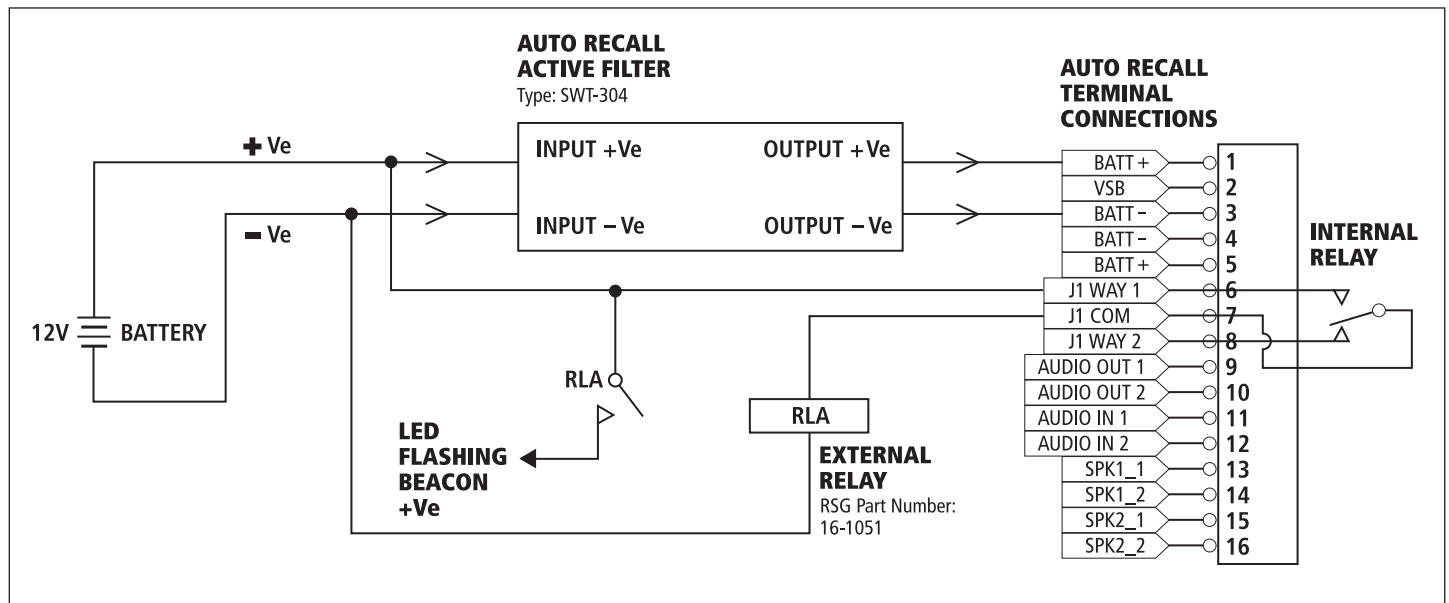
TYPE AUT-110

Introduction

Although the RSG Auto Recall Unit is designed to operate in conjunction with a its range of Illuminated Roof Signs and/or stand-alone speakers and flashing beacons, in some applications when one or more **LED Beacons** are used an extra 'Active Filter' may be required in-line with the power (positive and negative) to the device. Therefore in order to achieve this RSG 'Active Filter' type SWT-304 needs to be applied as per the following instructions.

Installation Instruction for RSG 'Active Filter' type SWT-304

1. Schematic of 'Active Filter'



2. Fitment of 'Active Filter'

Before connecting the filter to the Auto Recall Unit remove the wire jumper between terminal Pin 5 and Pin 6.

As the power output leads of the Active Filter must ideally be as short as possible, the actual filter must therefore be fitted as close as possible to the Auto Recall Unit.

Make electrical (wired) connections as shown in the schematic above.

3. Utilisation of Auto Recall internal switching Relay

Although the Auto Recall Unit contains an internal switching relay to transfer power on to flashing beacons to save making extra wired connections to an external relay or separate On/Off switch. When LED Beacons are required to be activated it may be necessary to use an external switching relay to prevent 'current switching noise' being feedback onto the systems 'audio circuitry' and subsequently being heard through the system speakers.

As the situation of 'current switching noise' can only be assessed at the point of installation, it is recommended that an initial test installation is done to check if any noise is present and if it is acceptable. Then if the noise level proves unacceptable an external relay, of suitable power rating, needs to be applied as shown in the above schematic. (RSG Part Number 16-1051.)

NOTE: Also, to reduce the likelihood of 'earth loop' noise the 'U' shaped mounting bracket must be isolated from the main enclosure by the nylon mounting bolts and washers.