

# B14

## R65 LED BEACON



### FEATURES

- Multi-Voltage Input 12~24VDC.
- LEDs rated to 100,000 hours of operation.
- Non-volatile memory recalls last flash pattern used at power up.
- Multiple units are synchronizable and can flash simultaneously or alternately.
- Reverse polarity protection.
- Weatherproof and vibration resistant design for external or internal use.

### SPECIFICATIONS

**Compliance:** ECE R65(TA1; TB1; TR1); ECE-R10; SAE J845; CA13; IPX5

**Operating Voltage:** 12~24VDC

**Warning Patterns:** 14 Flash Patterns

**LED Elements:** 3W LED x 10pcs

**Avg. Current:** 1.7A @12.8VDC / 0.88A @24VDC (varies with flash pattern)

**Avg. Power:** 21 W (varies with flash pattern)

**Max. Current:** 3.3A @12.8VDC / 1.75A @24VDC

**Max. Power:** 42 W

**Wires:**

#### Magnetic Mount

- Single button cigar-plug: 300cm
- European cigar-plug: 250cm

#### Permanent Mount

- Red-Vcc : 40cm /15.74in (20AWG)
- Black-GND: 40cm /15.74in (20AWG)
- Yellow-Flash Patterns & Sync: 40cm /15.74in (20AWG)
- White-Phase: 40cm /15.74in (20AWG)

**Recommended Fuse :** 5A

**Multi-Unit Synchronization:** Up to 4 units

**Storage Temperature:** -40°C to +75°C

**Operating Temperature:** -30°C to +65°C

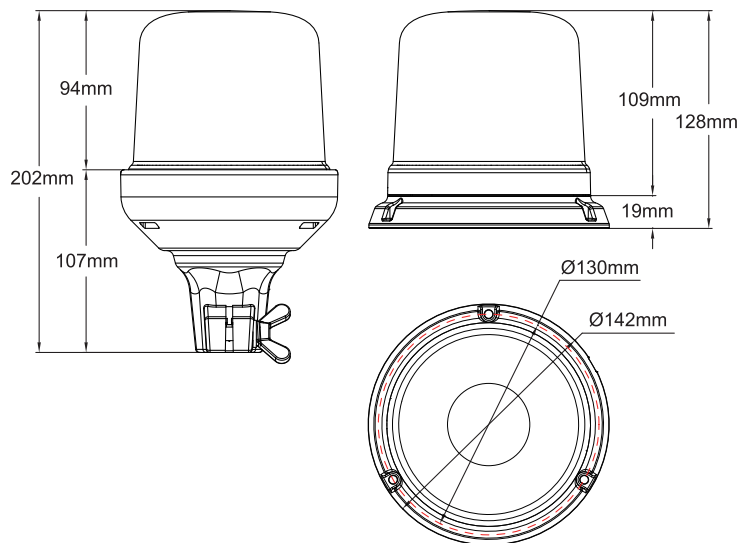
**LED Colour:** Red, Blue, or Amber

**Lens Colour:** Red, Blue, or Amber

**Warranty:** 5 Years



### DIMENSIONS



### FLASH PATTERN

FP#	FLASH PATTERNS		FP#	FLASH PATTERNS	
1	Double	[R65]	8	Mega	
2	Single	[2Hz]	9	Ultra	[SAE]
3	Quad	[2Hz]	10	Single-Quad	
4	Single	[SAE, CA13]	11	Single H/L	
5	Double	[SAE]	12	Single Column Rotator	
6	Quad	[SAE]	13	Double Column Rotator	
7	Quint	[SAE]	14	Double Column Rotator - Quint	