

LED BEACON

Permanent Mount LED BEACON

WIRING & OPERATION

RED: To +VDC

BLACK: To Chassis Ground (-)

WHITE: For Simultaneous or Alternating Flash

Group1 Units: (Wiring- **WHITE** connected to **RED**) will flash together.

Group2 Units: (Wiring- **WHITE** not connected to **RED**) will flash together.

Group1 Units will alternate with Group2 Units

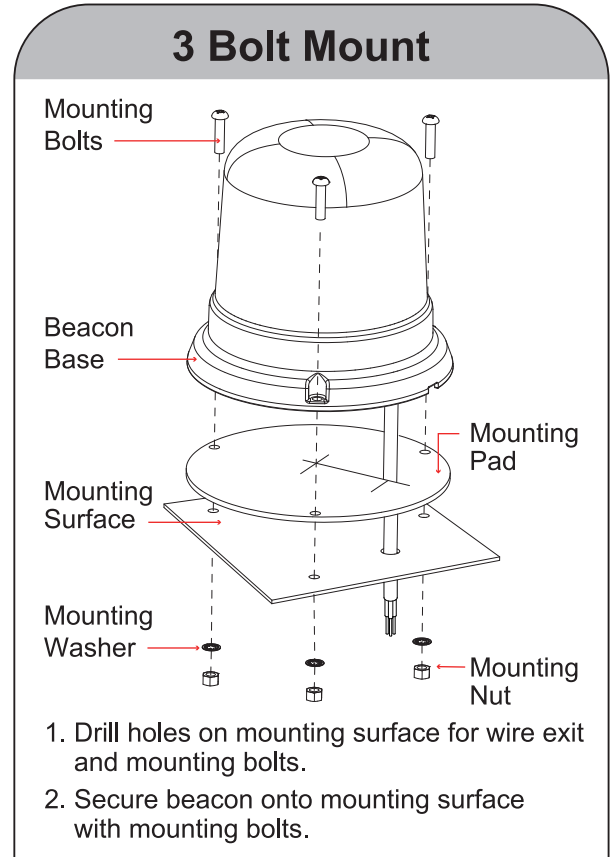
YELLOW: Flash patterns & Synchronization

Connect **YELLOW** wires of all heads together for synchronization.

*All heads must be set at the same pattern.

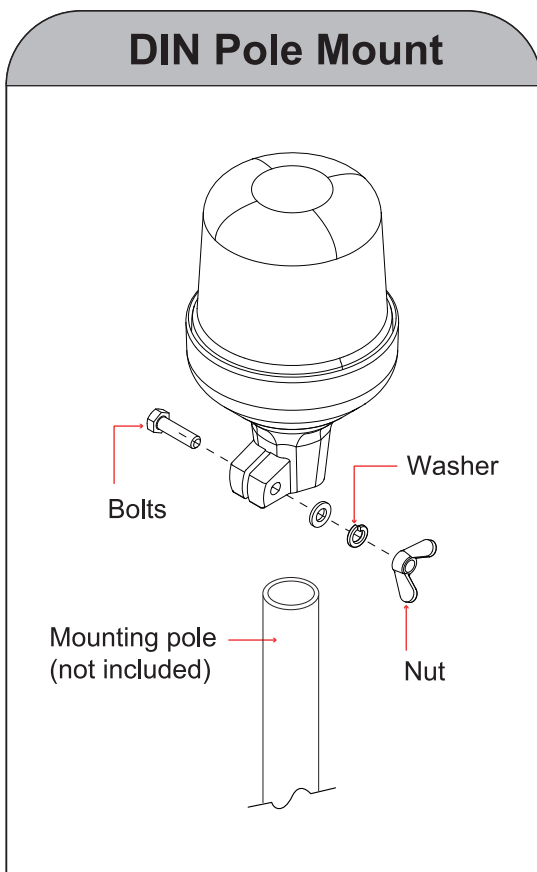
Momentarily apply +VDC to **YELLOW** wire:

- once for next pattern.
- quick 3 times for reset.



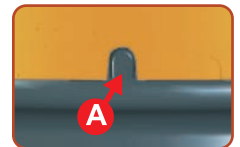
DIN Pole Mount LED BEACON

FLASH PATTERN CHANGE



1. Open

Push down on Tab **A**, and twist the dome counte-clockwise **1**, then lift the dome to open.



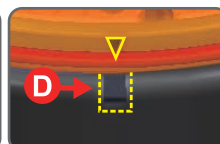
2. Change

While activating Warning Mode, momentarily push the **RED BUTTON 2** to change to the next flash pattern. (see Flash Patterns chart)



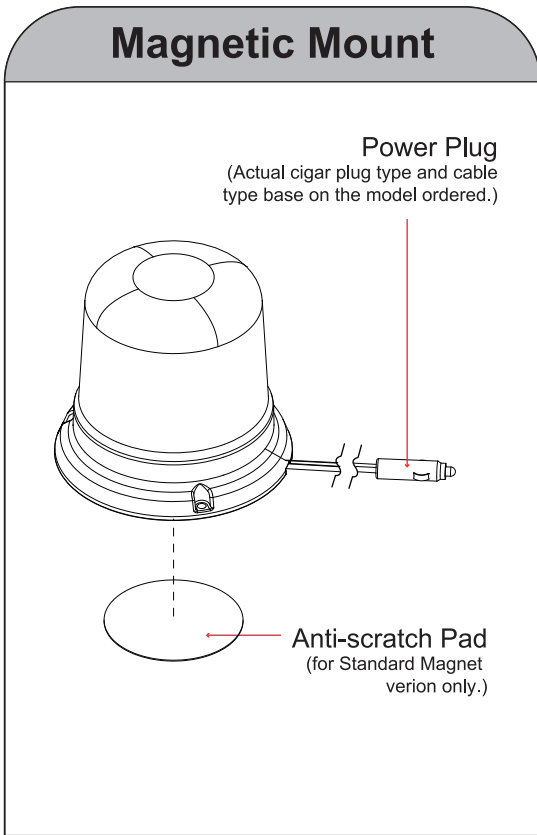
3. Close

Align the dome indent **A** to the DIN base vertical line **C**, then twist clockwise **3** to close. Once the beacon is properly closed, the triangle indicator on the dome should align to the protruding mark on the DIN base, shown as **D**.



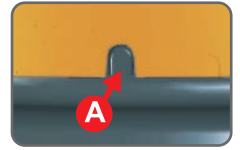
LED BEACON

Magnetic Mount LED BEACON FLASH PATTERN CHANGE



1. Open

Push down on Tab **A**, and twist the dome counterclockwise **1**, then lift the dome to open.



2. Change

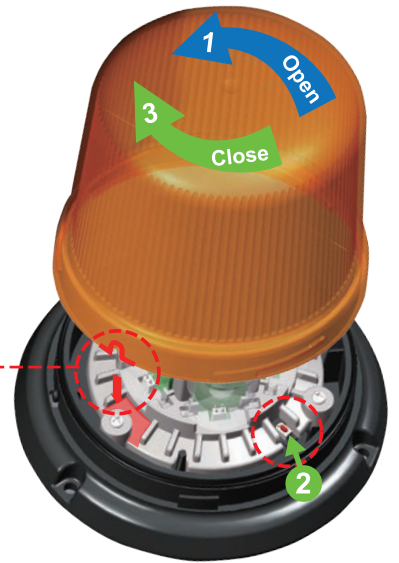
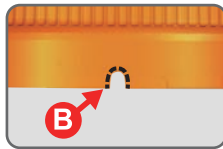
While activating Warning Mode, momentarily push the RED BUTTON **2** to change to the next flash pattern. (see Flash Patterns chart)



3. Close

Magnetic Mount / Bolt Mount

Align dome indent **B** before Tab **A**, then twist clockwise **3** to close.



WARNING:

It is not recommended to use magnetically mounted warning devices on outside of vehicle in motion. Usage is at the sole risk and responsibility of the user. (For moving vehicles, please use Power Mags)

Dual Purpose Cigar Plug (for applicable models only) :

When using models with dual purpose cigar plug, change the plug according to your actual socket by pushing in or out the red plastic frame.



▲ for standard Cigar Lighter Socket

▲ for ISO4165 Socket

NOTE: All diagrams may not show to scale.

| FP# | FLASH PATTERNS | |
|-----|-------------------------------|-----------|
| 1 | Double | [R65 2Hz] |
| 2 | Single | [2Hz] |
| 3 | Quad | [2Hz] |
| 4 | Single | [SAE] |
| 5 | Double | [SAE] |
| 6 | Quad | [SAE] |
| 7 | Quint | [SAE] |
| 8 | Mega | |
| 9 | Ultra | [SAE] |
| 10 | Single-Quad | |
| 11 | Single H/L | |
| 12 | Single Column Rotator | |
| 13 | Double Column Rotator | |
| 14 | Double Rotator x5 -> Quint x5 | |

Note: i. This unit may not be factory-set at FP#1 ii. Actual approval base on the model ordered.