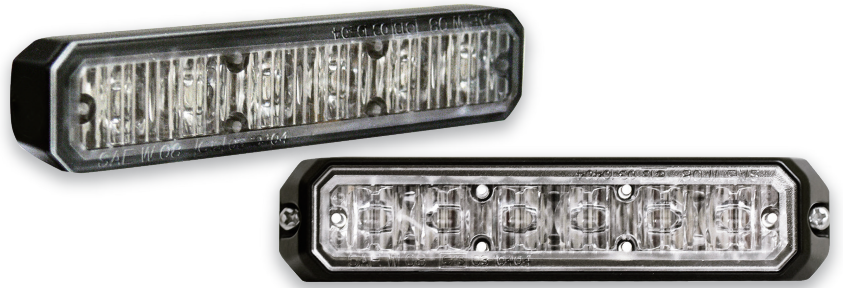


# Mini Stealth

12~24VDC

## 6+6 LED DUAL COLOUR LIGHTHEAD (Surface Mount/ Hood Mount)



### FEATURES

- 6LED+6LED Dual colour.
- SAE Class 1 high power output.
- ECE R10 EMC Compliance.
- 0.68" (17.2mm) low-profile thickness.
- Long life LEDs rated to 100,000 hours of operation.
- Non-volatile memory recalls last flash pattern used at power up.
- Multi-units synchronization in simultaneous or alternating flash.
- Reverse polarity protection.
- Weatherproof and vibration resistant design for internal or external use.
- Aluminium base for efficient heat dissipation.

### SPECIFICATIONS

**Compliance:** SAE J595, CA13 (R/B/Y), ECE R10-04

**LED Elements:** High-power LED x 12pcs

**No. of Warning Patterns:** 16 or 26 Flash Patterns  
(depend on model)

**Operating Voltage:** 12~24VDC

**Avg. Current:** 0.6A@12VDC / 0.3A@24VDC

**Max. Current:** 1.2A@12VDC / 0.6A@24VDC

**Avg. Power:** 7.2W

**Max. Power:** 14.4W

**Wires:** Red-Vcc : 20cm (20AWG)

Black-GND : 20cm (20AWG)

Yellow-Flash Patterns & Sync : 20cm (20AWG)

White-Vcc : 20cm (20AWG)

**Synchronization:** 15 units

**Fuse Rating:** 2A

**Storage Temp. (°C):** -40°C to +75°C

**Working Temp. (°C):** -30°C to +65°C

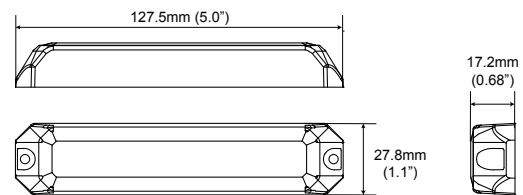
**LED Colour:** Red, Blue, Amber, White

**Lens Colour:** Clear

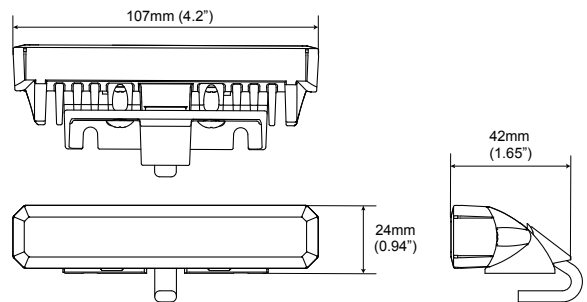
**Warranty:** 5 Years

### DIMENSIONS

#### SURFACE MOUNT



#### HOOD MOUNT



### PART NO.

- M056-0x13y-00R
- M056-0x23y-00R

Replace x for Mounting:

0 = Surface Mount

1 = Hood Mount

Replace y for Colour:

D = Blue / Amber LED

Q = Red / Blue LED

J = Red / Amber LED

T = Blue / White LED

K = Amber / White LED

U = Red / White LED

### FLASH PATTERN

FLASH PATTERNS				
1	Double	[R65]	14	Single-Quad
2	Single	[2Hz]	15	Single H/L
3	Triple	[2Hz]	16	Single-Triple-Quint
4	Quad	[2Hz]	17	Single-Single
5	Random		18	Double-Double
6	Steady		19	Triple-Triple Fast
7	Single	[SAE][CA13]	20	Triple-Triple Mid
8	Mega		21	Quint-Triple
9	Double	[SAE]	22	7-1 Flash
10	Triple	[SAE]	23	1-7 Flash
11	Quad	[SAE]	24	Quad-Single
12	Quin	[SAE]	25	Single-Quad
13	Ultra	[SAE]	26	Quint-Quint

\*FP# 17~26 are only available in dual colour flashing mode.