

S-PAL06 Single or Dual Colour LED Flasher Kit

POP-A-LIGHT 06



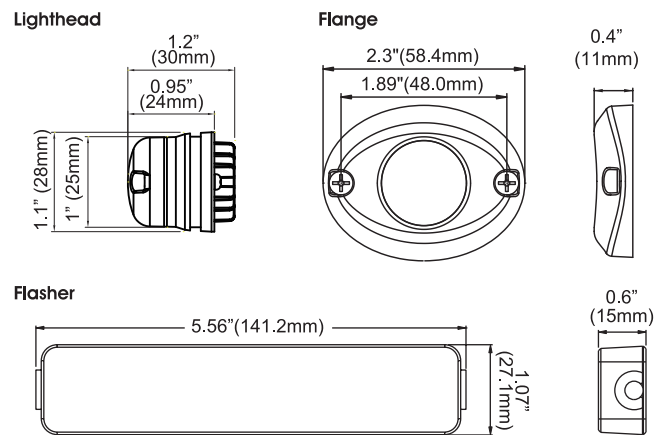
FEATURES

- Split color capability with independent activation wires.
- Pop-In Design for easier installation.
- Built-in 19 Selectable Flash Patterns.
- LEDs rated to 100,000 hours of operation.
- Non-volatile memory recalls last flash pattern used at power up.
- Multiple units are synchronizable, and can flash simultaneously or alternately.
- Reverse polarity protection.
- Weatherproof and vibration resistant for external or internal use.
- Flange option for surface mount applications.

SPECIFICATIONS

Compliance: ECE R10
LED Element: High intensity LED x 6pcs per head.
No. of Warning Patterns: 19
Operates Voltage: 10-16 VDC
Ave. Current: 0.65A @12VDC (varies with flash pattern)
Ave. Power: 7.8 Watts (varies with flash pattern)
Max. Current: 1.3A @12VDC
Max. Power: 15.6 Watts
Function Wires: Red-Vcc: 185cm / 20AWG
 Black-GND: 185cm / 20AWG
 Yellow-Flash Patterns & Sync: 185cm / 20AWG
 White-Vcc: 185cm / 20AWG
Connection Cable: Output : 85cm / 22AWG
 Extension : 200cm / 22AWG
 Lighthouse : 20cm / 22AWG
Fuse Rating: 2A
Synchronization: Up to 15 units

DIMENSIONS



FLASH PATTERN

FP#	Flash Patterns		
1	Random (default)	11	Double
2	Single (split)	12	Quad
3	Double (split)	13	Quint
4	Quad (split)	14	Mega
5	Quint (split)	15	Ultra
6	Mega (split)	16	Single-Quad
7	Ultra (split)	17	Single H/L
8	Single-Quad (split)	18	Steady Half
9	Single H/L (split)	19	Steady All
10	Single		