

# R6 ILLUMINATION Responder Series Lighthouse

12-24VDC

## Manual

### WIRING

**RED** wire: To +VDC with Fuse  
(Fuse Rating: 2A@12/24VDC)

**BLACK** wire: To -Chassis Ground

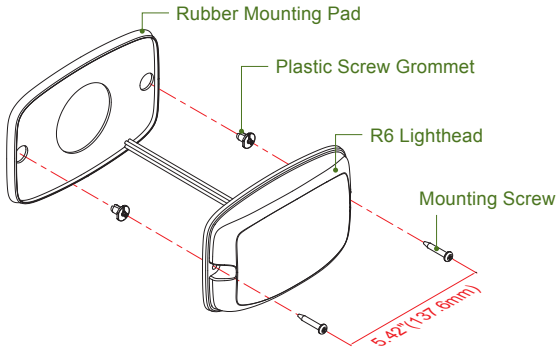
### IMPORTANT :

Ensure that the " TOP " marking  
is oriented upward during installation.



### INSTALLATION

#### SURFACE MOUNT W/O FLANGE BEZEL



#### SURFACE MOUNT W/ FLANGE BEZEL (OPTIONAL)

