

R65 3-LED Directional Warning Lamp (Surface Mount / Hood Mount)



FEATURES

- Low-profile Surface mount base or C-clamp base for versatile discreet mounting.
- Powerful output with ECE R65 and SAE Class 1 certified output.
- Non-volatile memory - recalls last flash pattern used at power up.
- ECE R10 EMC Compliance.
- Multi-units synchronization in simultaneous or alternating flash.
- Reverse polarity protection.
- Weatherproof and vibration resistant design for internal or external use.
- Solid aluminium housing for efficient heat dissipation and maximum durability.

SPECIFICATIONS

Meets: ECE R65 (XA1, XB1, XR1), ECE R10

IP Code: IPX7

Bulb: High Power LED x 3pcs

Warning Patterns: 5 Flash Patterns

Operating Voltage: 12~24VDC

Avg. Current: 0.34A @12VDC / 0.17A @24VDC
(varies with flash pattern)

Avg. Power: 4.05 Watts (varies with flash pattern)

Max. Current: 0.68A @12VDC / 0.34A @24VDC

Max. Power: 8.1 Watts

Wires: Red-Vcc: 97cm (20AWG)

Black-GND: 97cm (20AWG)

Yellow-Flash Patterns & Sync: 97cm (20AWG)

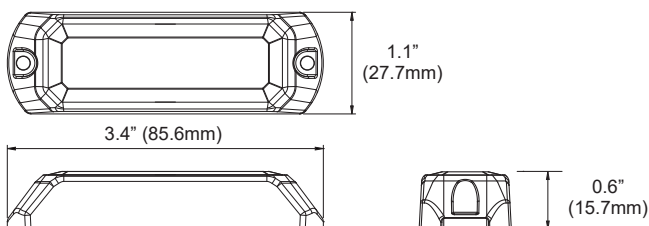
Fuse Recommended: 1A

Multi-Unit Synchronization: Over 15

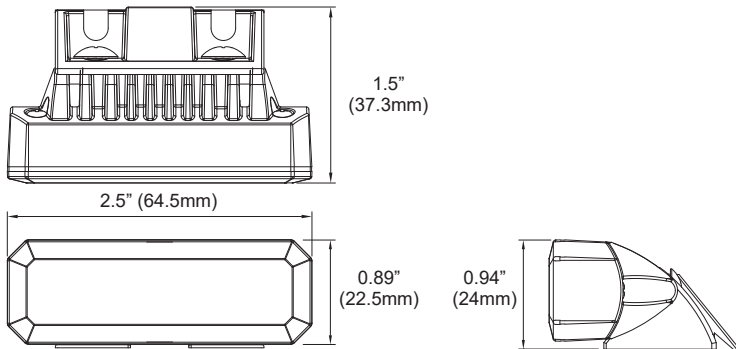
Available in: AMBER, BLUE, RED

DIMENSIONS

Surface Mount



Hood Mount



FLASH PATTERN

Flash Patterns			
1	Single [2Hz]	4	Quad [2Hz]
2	Double [2Hz]*	5	Steady
3	Triple [2Hz]		

*Actual R65 Approved Flash Pattern.