

TITAN™ LED DASH LIGHT

11~30VDC

e13 03 9922

E13 10R02 9916



FEATURES

- Models: TDSE4 - with 4 High Intensity LEDs
TDXL6 - with 6 LEDs with Xtreme optics
- Built-in 19 Selectable Flash Patterns
- Super Compact for Stealth Look
- Lightweight for Easy Mounting
- With Side-by-Side Split Flashing
- Angle Adjustable light output

SPECIFICATIONS

Approvals : SAE, Title XIII, e13, E13

Bulb : 1W LED x 4 (TDSE4) or 1W LED x 6 (TDXL6)

Avg. Current : TDSE4: 0.28A @12.8VDC ~ 0.14A @25.6VDC
TDXL6: 0.46A @12.8VDC ~ 0.24A @25.6VDC

Avg. Power : TDSE4: 4.5 Watts (varies with flash pattern)
TDXL6: 6 Watts (varies with flash pattern)

Max. Current : TDSE4: 0.56A @12.8VDC ~ 0.28A @25.6VDC
TDXL6: 0.92A @12.8VDC ~ 0.47A @25.6VDC

Max. Power : TDSE4: 9 (Watts)
TDXL6: 12 (Watts)

Wires : Cigar plug with 3 meter wire length

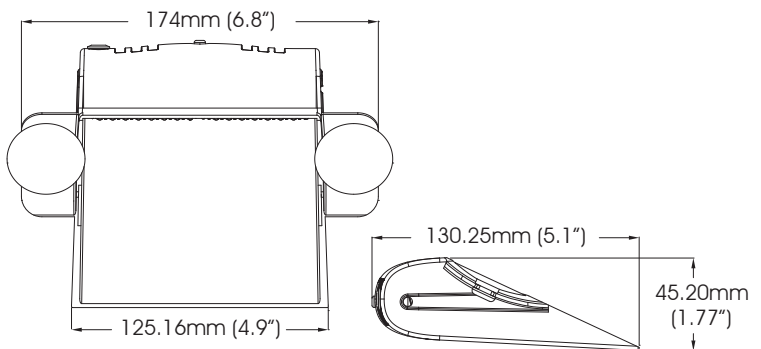
Operating Temperature : -40°C to +65°C (-40°F to +130°F)

Available in : RED , BLUE , AMBER , WHITE



For adjusting light output angle.
Push button for flash pattern change.

DIMENSIONS



FLASH PATTERN

FP#	Flash Pattern	
0	Random (default)	10 Double (all)
1	Single (split)	11 Quad (all)
2	Double (split)	12 Quint (all)
3	Quad (split)	13 Mega (all)
4	Quint (split)	14 Ultra (all)
5	Mega (split)	15 Single-Quad (all)
6	Ultra (split)	16 Single H/L (all)
7	Single-Quad (split)	17 Steady 2 (california)
8	Single H/L (split)	18 Steady 4 (all)
9	Single (all)	

*SPLIT=side by side alternating *ALL=all LEDs on