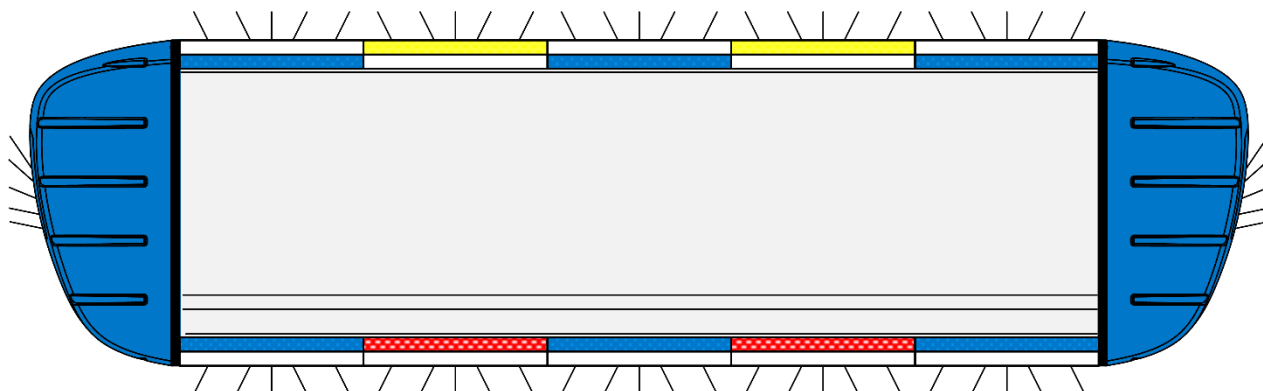


## technical information

---



valid for the following systems:

**505384111021 - W3B 1100, 3B02W0, 3B02R0**

**CMP  
CSDS**

document: 505384111021980 (0)  
language: English  
edition: 12/2020

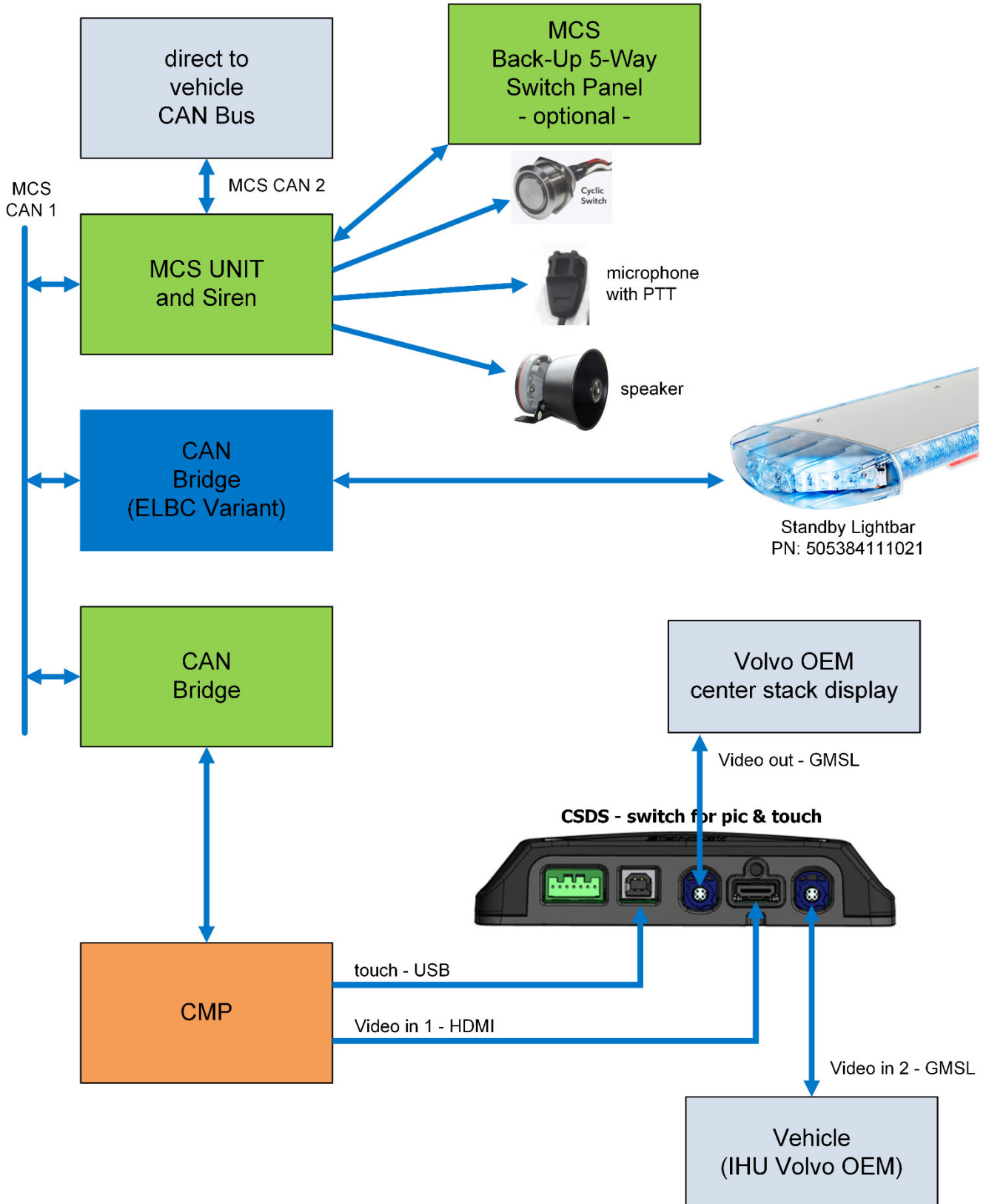
© Standby GmbH, all rights reserved

If you have technical questions, please contact your sales representative or central customer service.

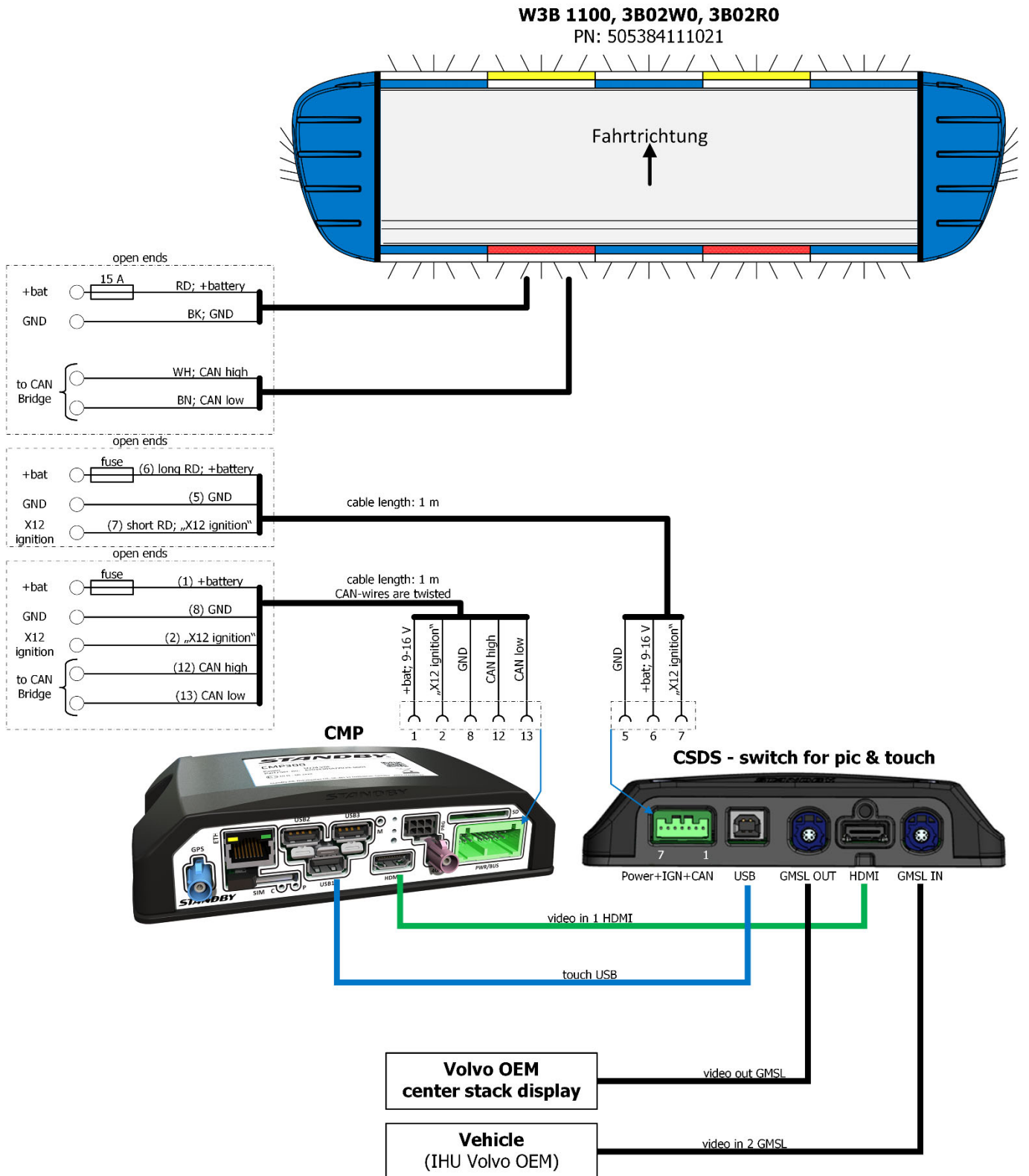
Standby GmbH retains the copyright to this document. The documentation contains technical information that may not be changed, copied, reproduced, rented, supplemented or used in any other way without the prior written consent of Standby GmbH.

Technical changes reserved.

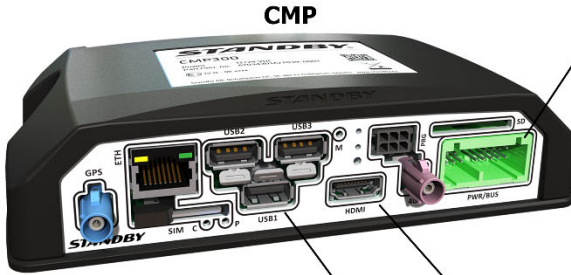
# block diagram



# connection diagram



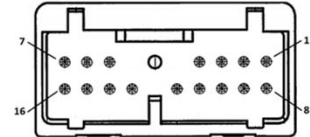
# connector description



**CMP**

**PWR + IO + CAN**

PCB connector: JAE IL-AG5-16P-D3L2-A  
 recommended cable connector: JAE IL-AG5-16S-D3C1-A  
 recommended crimp contact: JAE IL-AG5-C1-5000  
 cable length: 1 m, open ends

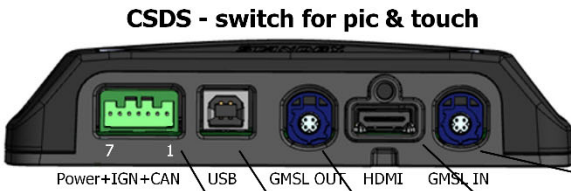


**HDMI**

PCB connector: HDMI 1.4 compliant connector  
 recommended cable connector: HDMI 1.4 compliant  
 (possible to use cable with locking screw)

**USB**

connector: Type A



**CSDS - switch for pic & touch**

**GMSL IN (connect to Volvo IHU)**

PCB connector: Rosenberger D4S20D-40MA5-C  
 recommended cable connector: Rosenberger HSD type C

**HDMI (connect to second image source)**

PCB connector: HDMI 1.4 compliant connector  
 recommended cable connector: HDMI 1.4 compliant connector  
 (possible to use cable with locking screw, not included in the sample-cable)

**GMSL OUT (connect to Volvo CSDS)**

PCB connector: Rosenberger D4S20D-40MA5-C  
 recommended cable connector: Rosenberger HSD type C

**USB**

connector: Type A, high retention  
 (for testing on PC)

**Power+IGN+CAN**

PCB connector: JAE IL-AG5-7P-S3L2  
 recommended cable connector: JAE IL-AG5-7S-S3C1  
 recommended crimp contact: JAE IL-AG5-C1-5000  
 cable length: 1 m, open ends