

POE Switch

autoeyeXpert

PRO SERIES

4 Port POE Switch for use with X3 and X5 Pro Series DVR's

Part number: AEX-ST-ACC-PES

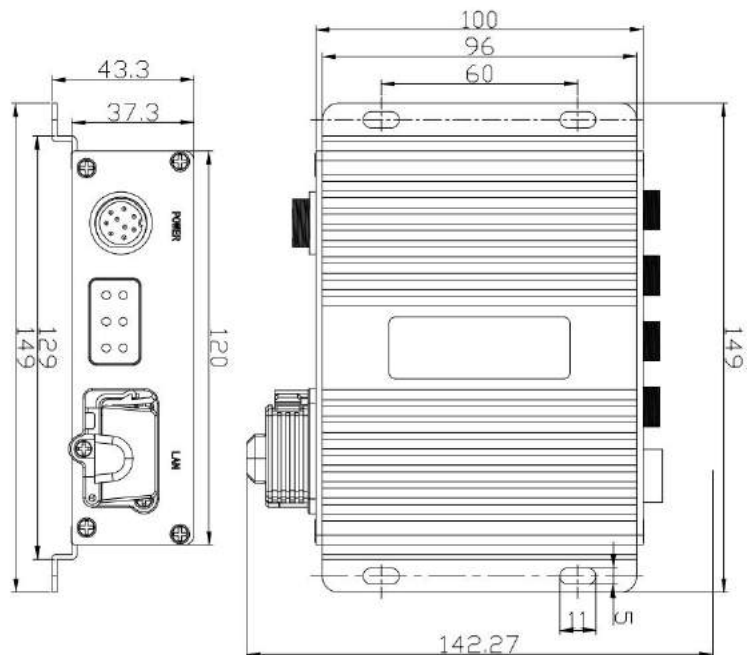
KEY FEATURES

- 4-port POE switch
- Waterproof and dust proof to IP54
- For use with X3 and X5 Pro Series DVRs

OVERVIEW

The AEX-ST-ACC-PES is a 4-port POE (power over ethernet) switch for the X3 and X5 series DVR's in our AutoEye Xpert Pro Series. It allows up to 4 IP cameras to be powered and transfer data over RJ45 ethernet connections. The switch's fifth port is to connect to the DVR network connection.

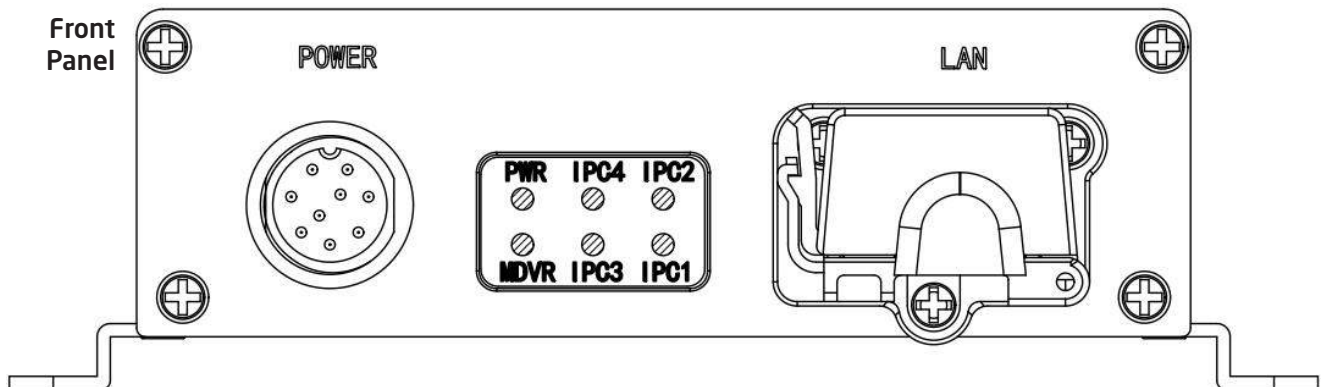
- The shell is made of high strength material for harsh environments
- Connects the MDVR with RJ45 port with specially designed strain relief shroud to ensure the reliable connection in the vibration environment
- Supports 8-36V DC voltage input, suitable for 12V and 24V vehicles
- Provide one 10/100/1000M adaptive RJ45 port, four 10/100M adaptive adjustable RJ45 ports for auto flipping
- POE power supply
- Protection class: IP54
- Power supply standard applies to ISO7637-2
- Anti-vibration standard applies to MIL-STD-810F
- Certification: EN50155 E-mark CE FCC



4 Port POE Switch AEX-ST-ACC-PES

SPECIFICATION

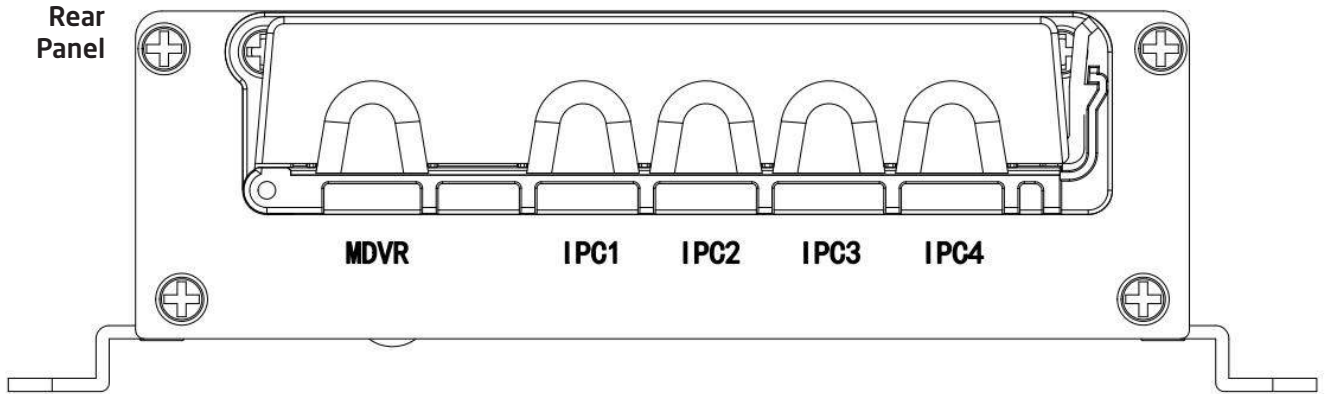
MODEL		AEX-ST-ACC-PES
Ports	Feature	10/100/1000M adaptive (Up-link port)
		10/100M adaptive (Down-link port)
	Type	RJ45
	Quantity	4
	Transmission Medium	UTP 5-e and above
Power	Power Consumption	≤ 3W
	Input Power	DC8-36V + MDVR supply DC12V
	Camera Power Supply	48V power supply, each port supports 7W
	Power Supply Standard	Each input port has anti-surge capability and the car power input port that applies to the ISO7637-2 standard
Others	LED Indication	POWER/MDVR/IPC
	Anti-vibration Standard	MIL-STD-810F
	Protection Class	IP54
	Dimensions (mm)	142.7 mm (L) x 149mm (W) x 43.3mm (H)
	Operating Environment	Working Temperature: -40°C ~ +70°C Storage Temperature: -40°C ~ +85°C Working Humidity: 10% ~ 90% RH Non-condensing Storage Humidity: 5% ~ 95% RH Non-condensing



INTERFACE DEFINITION

PRINT	DESCRIPTION
POWER	External supply voltage range 8-36V
PWR	Power status indicator light
IPC1~IPC4	IPC connection status indicator light
MDVR	MDVR connection status indicator light
LAN	Debug network port

4 Port POE Switch AEX-ST-ACC-PES



INTERFACE DEFINITION

NUMBER	PRINT	DESCRIPTION
1	MDVR	Network port to connect the MDVR
2	IPC1~IPC4	The 1-4 IPC interface

CONNECTION DIAGRAM

