

# LED FLUSH MOUNT KIT USER MANUAL

12-24VDC

## CONTENTS



LIGHTHEAD x 2pcs



MOUNTING GROMMET x 2pcs



EXTENSION CABLE



LED CONTROLLER

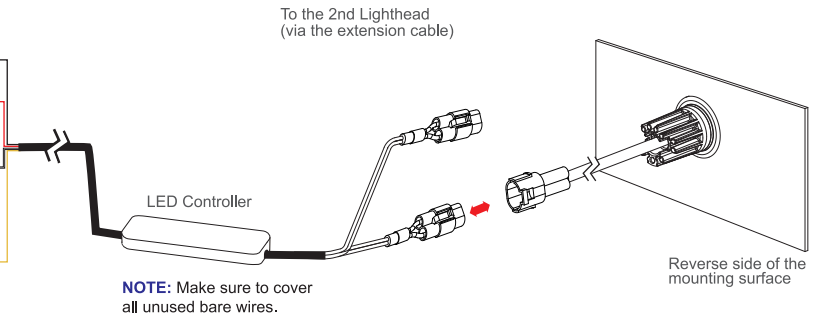
## WIRING & FUNCTIONS

To Chassis Ground: ..... **BLACK**

To +VDC: ..... **RED**  
(Fuse Rating 12V@3A / 24V@2A)

For Low Power Warning: ..... **WHITE**  
Apply +VDC to **WHITE** wire while **RED** wire is activated for Low Power Operation.

For Synchronization and Flash Pattern: ..... **YELLOW**  
Connect **YELLOW** wires of all kits together for synchronization.  
(All kits should be set to the same pattern)  
\*Actual approval will be based on the model purchased.



## OPERATION

### For Simultaneous or Alternating Synchronization:

1. Apply +VDC to **RED** and **YELLOW** wires simultaneously to enter Flash Mode Selection.
2. Remove **YELLOW** wire from +VDC and momentarily apply to +VDC to change mode selection:
  - Mode 1 = Head 1 & 2 flash alternately
  - Mode 2 = Head 1 & 2 flash simultaneously
3. Exit Flash Mode Selection by removing +VDC.

### For Flash Pattern Selection:

- Momentarily apply +VDC to **YELLOW** wire
- Once to next pattern
  - Quick three times to FP#1 (see Flash Pattern Chart)

FP#	Flash Patterns		
1	Single [2Hz]	8	Quad
2	Double [R65]*	9	Quint
3	Triple [2Hz]	10	Mega
4	Quad [2Hz]	11	Ultra
5	Random	12	Single-Quad
6	Single	13	Single H/L
7	Double	14	Steady or Steady Double**

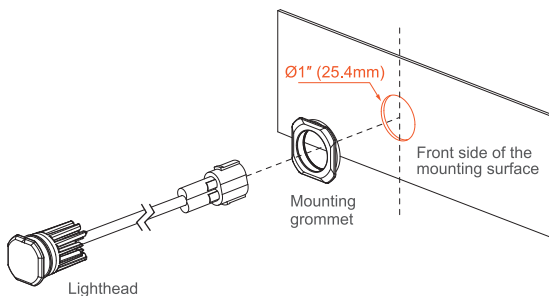
\* Actual approval will be based on the model purchased.

\*\* In Mode 2, lighthoods will both steady-burn; in Mode 1, one lighthouse will steady burn while the other does double flash.

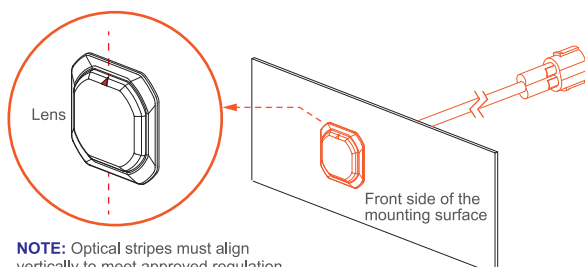
## INSTALLATION - FLUSH MOUNT

- 1 Select a mounting location and drill one 1" (25.4mm) cut-out.

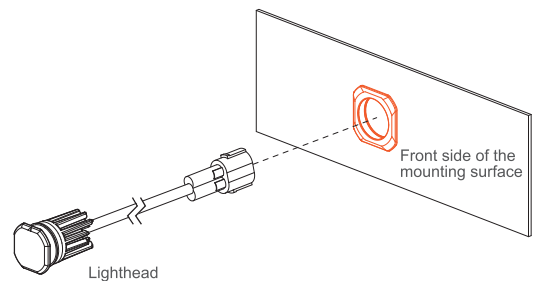
**NOTE:** Mounting surface thickness @ 0.8~2.0mm



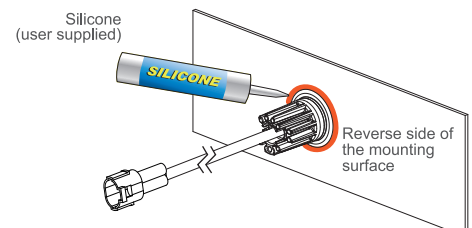
- 3 Ensure that triangle mark on the lens is aligned vertically.



- 2 From the front, install MOUNTING GROMMET onto the cut-out, and then insert the LIGHTHEAD.

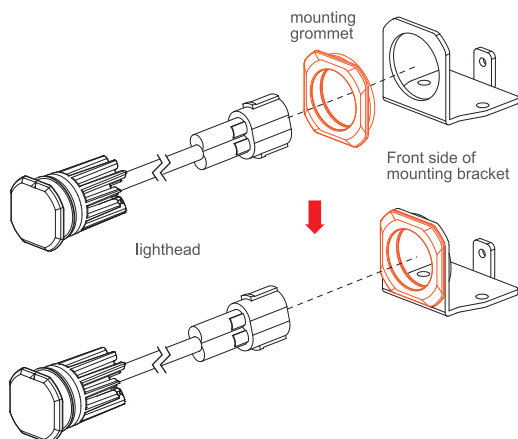


- 4 Where necessary, apply silicone around the reverse side to prevent from rotating.

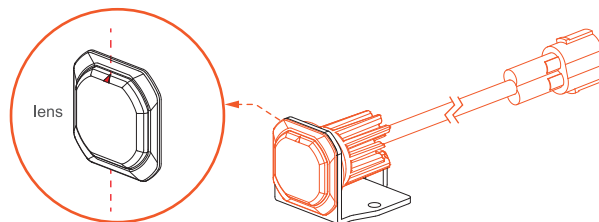


# INSTALLATION - BRACKET MOUNT (sold-separately)

- 1** From the front, install the MOUNTING GROMMET onto the BRACKET, and insert the LIGHTHEAD.

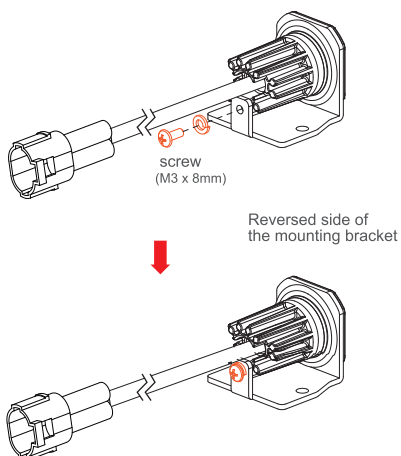


- 2** Ensure that triangle mark on the lens is aligned vertically.

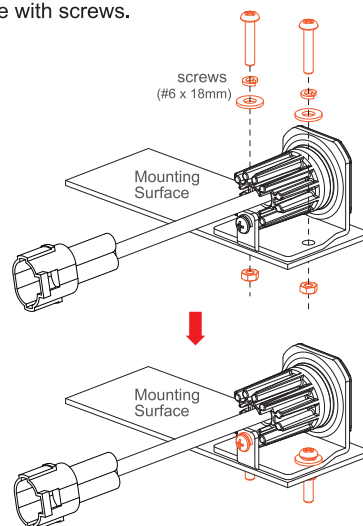


**NOTE:** Optical stripes must align vertically to meet approved regulation.

- 3** Secure the LIGHTHEAD onto the BRACKET with a screw.



- 4** Secure the BRACKET onto the desired mounting surface with screws.



## WIRING 2 KITS TOGETHER

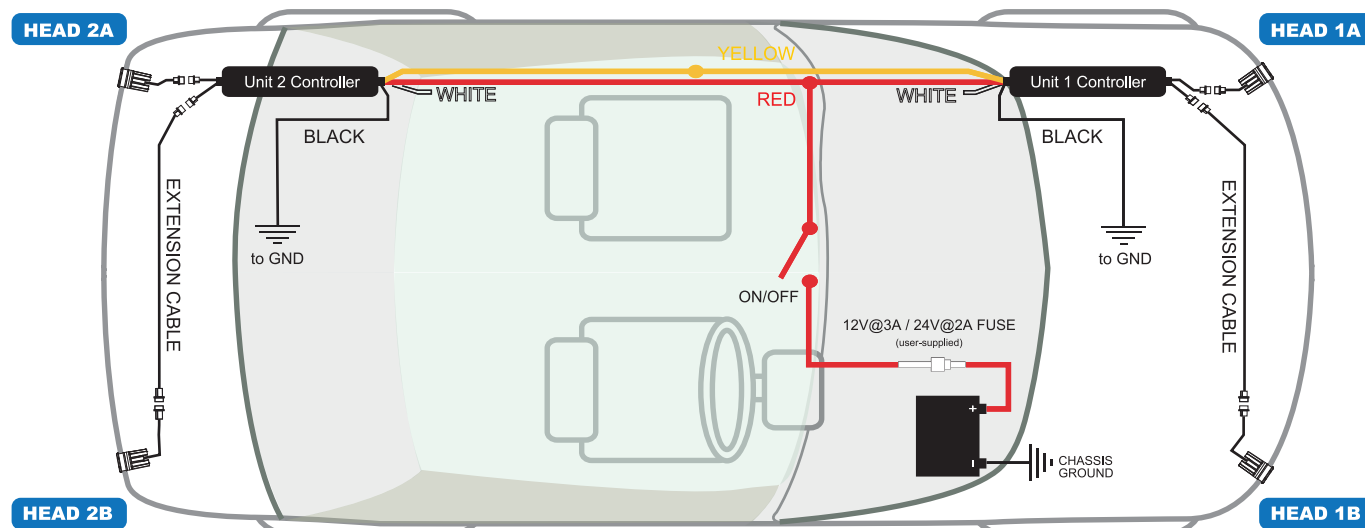
Below is a schematic diagram for wiring 2 kits together.

**YELLOW** wires from both controllers must be connected together for synchronization.

- If Mode 1 is selected: Head 1A&2A will flash alternately with Head 1B&2B.
- If Mode 2 is selected: All Heads will flash simultaneously.

\* Refer to Flash Pattern Chart on the opposite page.

**NOTE:** To have Head 1A&2B alternate with 1B&2A, simply reverse the lighthouse outlets on one of the Controllers; (both kits must be in Mode 1).



**NOTE:** The mounting area varies from vehicle to vehicle. (The diagram is not drawn to scale)