

URO3

UNDERCOVER

3-LED All-In-One/ Self-contained Warning Lighthouse (Surface Recessed Mount)



FEATURES

- Small profile with powerful ECE R65 certified output.
- ECE R10 EMC Compliance.
- All-in-one self-contained for easy and versatile installation without external flasher.
- Versatile Side-mirror Mount or Surface Mount.
- Long life LEDs technology rated to 100,000 hours of operation.
- Non-volatile memory recalls last flash pattern used at power up.
- Multi-units synchronization in simultaneous or alternating flash.
- Reverse polarity protection.
- Fully Weatherproof and vibration resistant design for external or internal use.
- Aluminium base for efficient heat dissipation and maximum durability.

SPECIFICATIONS

Meets: ECE R65 (XA1, XB1, XR1); ECE R10
SAE J595 & J845 Class 1; IPX7

LED: High-power LED x 3pcs

Warning Patterns: 16 Flash Patterns

Operating Voltage: 12~24VDC

Avg. Current: 0.39A @12VDC / 0.19A @24VDC
(varies with flash pattern)

Avg. Power: 4.62 Watts (varies with flash pattern)

Max. Current: 0.77A @12VDC / 0.39A @24VDC

Max. Power: 9.24 Watts

Wires: Red-Vcc : 20cm (24AWG)

Black-GND : 20cm (24AWG)

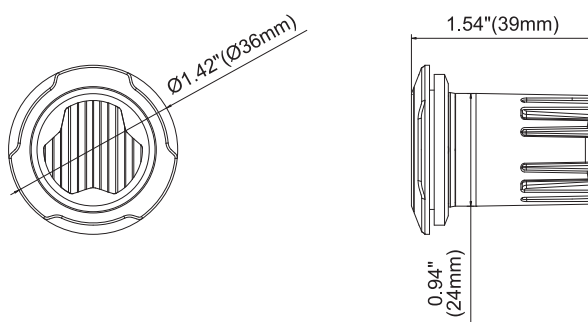
Yellow-Flash Patterns & Sync : 20cm (24AWG)

Fuse Recommended: 1A

Multi-Unit Synchronization: Over 15 units

Available in: RED, BLUE, AMBER, WHITE

DIMENSIONS



FLASH PATTERN

Flash Patterns			
1	Double [2Hz]*	9	Double [SAE]
2	Single [2Hz]	10	Triple [SAE]
3	Triple [2Hz]	11	Quad [SAE]
4	Quad [2Hz]	12	Quint [SAE]
5	Random	13	Ultra [SAE]
6	Steady	14	Single-Quad
7	Single [SAE]	15	Single H/L
8	Mega	16	Singe-Triple-Quint

*Actual R65 Approved Flash Pattern.