

# Mini Stealth

12~24VDC

## R65 Class II 6-LED Directional Warning Lamp (Surface Mount / Hood Mount)



MS6BH



MS6BS



### FEATURES

- R65 Class 2 super high power output.
- Super low profile discreet mounting.
- 12-24VDC Multi-Voltage Input.
- Built-in 5 selectable flash patterns.
- Long life LEDs rated to 100,000 hours of reliable operation.
- Non-volatile memory recalls last flash pattern used at power up.
- Multi-units synchronization.
- Reverse polarity protection.
- Weatherproof and vibration resistant design for versatile application.
- Aluminum base for efficient heat dissipation.

### SPECIFICATIONS

**Meets:** ECE R65 (XA2, XB2), ECE R10

**Bulb:** High-power LED x 6pcs

**Warning Patterns:** 5 Flash Patterns

**Operating Voltage:** 12~24VDC

**Avg. Current:** 0.58A@12VDC / 0.29A@24VDC

**Avg. Power:** 6.9W

**Max. Current:** 1.15A@12VDC / 0.58A@24VDC

**Max. Power:** 13.8W

**Wires(M30):** Red-Vcc : 20cm (20AWG)  
Black-GND : 20cm (20AWG)  
Yellow-Flash Patterns & Sync : 20cm (20AWG)  
White-Low Power : 20cm (20AWG)

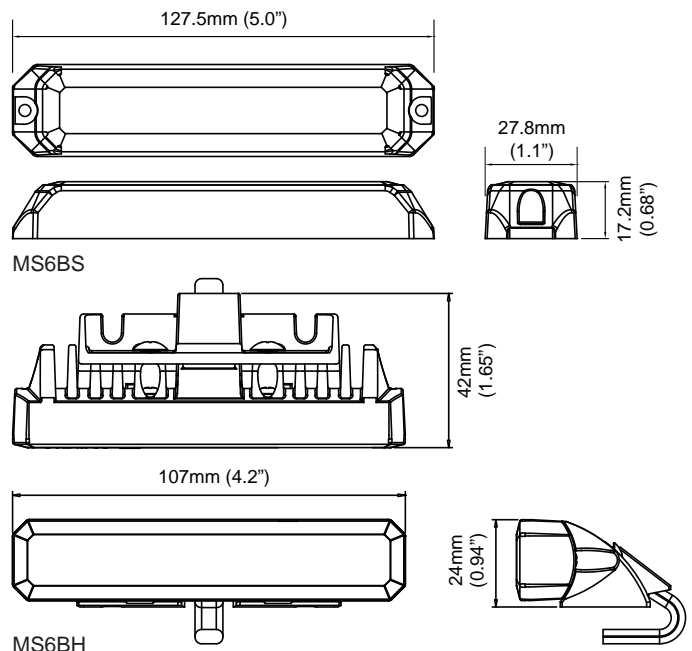
**Wires(M29):** Red-Vcc : 97cm (20AWG)  
Black-GND : 97cm (20AWG)  
Yellow-Flash Patterns & Sync : 97cm (20AWG)  
White-Low Power : 97cm (20AWG)

**Fuse Recommended:** 2A

**Multi-Unit Synchronization:** Over 15 units

**Available in:** BLUE, AMBER

### DIMENSIONS



### FLASH PATTERN

Flash Patterns			
1	Single (2Hz)	4	Quad (2Hz)
2	Double (R65)	5	Steady
3	Triple (2Hz)		