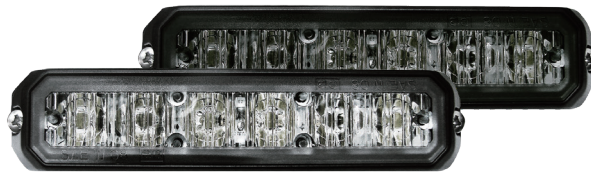


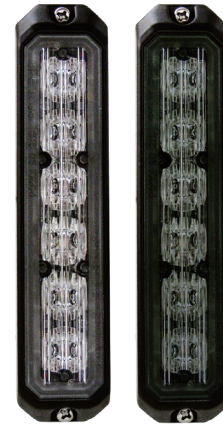
Mini Stealth

R65 Class II / Class I 6-LED Directional Warning Lamp (Surface Mount / Hood Mount)

12~24VDC



Horizontal Type



Vertical Type

► Now available in Smoked Lens!

FEATURES

- ECE R65 Class 2 (XA2, XB2) certified super high power output. Documentation available upon request.
- Smoked lens makes your MS6 warning light less conspicuous for blue "unmarked" application of law enforcement vehicles.
- Super low profile discreet mounting.
- Available in Horizontal and Vertical mount optics.
- Hood mount with Up/Down Angle adjustable.
- 12-24VDC Multi-Voltage Input.
- Non-volatile memory recalls last flash pattern used at power up.
- Multi-unit synchronization in simultaneous or alternating flash.
- Reverse polarity protection.
- Weatherproof and vibration resistant design for external use.
- Aluminum base for efficient heat dissipation and maximum durability.
- Meets ECE R65 Class 2 (XR2) standard. Certification will be applied upon request.

SPECIFICATIONS

Compliance: ECE R65 (XA2, XB2, XA1, XB1, XR1) / Clear Lens;
ECE R65 (XB1) / Blue Lens;
ECE R65 (XB1) / Smoked Lens;
ECE R10

LED Elements: High-power LED x 6 pcs

No. of Warning Patterns: 5

Operating Voltage: 12~24VDC

Hood Mount Wires: Red-Vcc: 97cm (20AWG)
Black-GND: 97cm (20AWG)
Yellow-Flash Patterns & Sync: 97cm (20AWG)
White-Low Power: 97cm (20AWG) *

Surface Mount Wires: Red-Vcc: 20cm (20AWG)
Black-GND: 20cm (20AWG)
Yellow-Flash Patterns & Sync: 20cm (20AWG)
White-Low Power: 20cm (20AWG) *
*Available only for ECE R65 Class 2 models.

Fuse Rating: 2A

Synchronization: Up to 15 units

Storage Temp. (°C): -40° ~ +75°

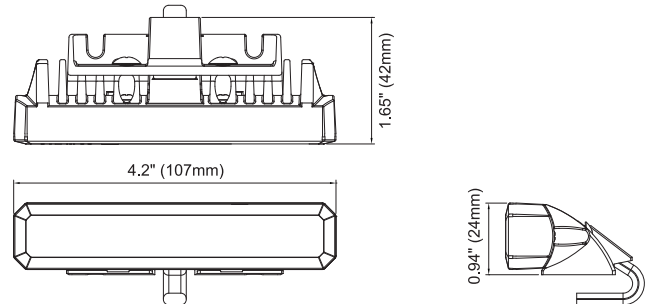
Working Temp. (°C): -30° ~ +65°

LED Color: Amber, Blue, Red

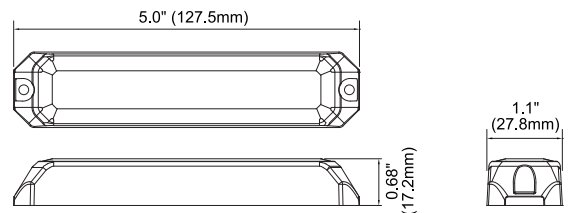
Lens Color: Clear, Blue, Smoked

DIMENSIONS

Hood Mount



Surface Mount



Approval Lens	Specs (Max./Avg.)	XA1/XR1	XB1	XA2/XB2
Clear or Blue	Power	9.6W/4.8W	13.8W/6.9W	14.2W/7.1W
	Current @12VDC	0.80A/0.40A	1.15A/0.58A	1.18A/0.59A
	Current @24VDC	0.40A/0.20A	0.58A/0.29A	0.59A/0.29A
Smoked	Power		11W/5.5W	
	Current @12VDC		0.92A/0.46A	
	Current @24VDC		0.46A/0.23A	

FLASH PATTERNS

Flash Patterns					
1	Single	[2Hz]	4	Quad	[2Hz]
2	Double	[R65]	5	Steady	
3	Triple	[2Hz]			