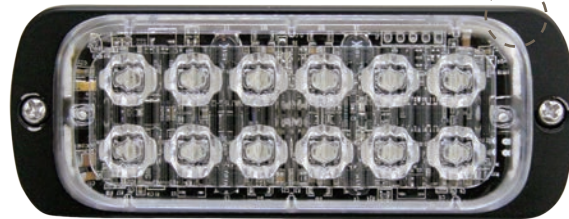
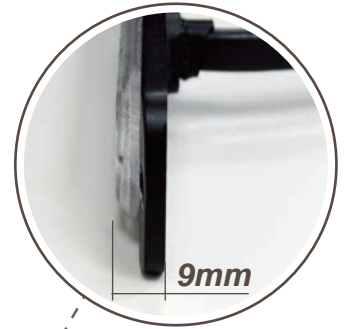
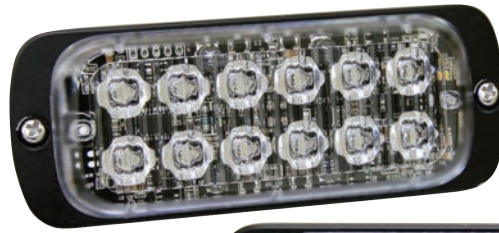


ST26 Super Thin

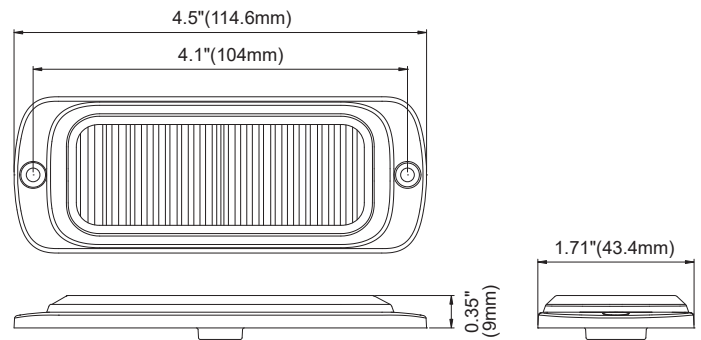
12-LED Directional Warning Lamp (Surface Mount)



FEATURES

- 0.35" (9mm) Super low-profile thickness.
- Multi-Voltage Input 12~24VDC
- Built-in 25 selectable flash patterns
- LEDs rated to 100,000 hours of operation.
- Non-volatile memory recalls last flash pattern used at power up.
- Multi-units synchronization in simultaneous or alternating flash.
- Reverse polarity protection.
- Weatherproof and vibration resistant design for internal or external use.
- Aluminum base for heat dissipation.

DIMENSIONS



SPECIFICATIONS

Meets: SAE J595 Class 1(R,A,B,W) ;
ECE R65 Class 2(A,B) ; ECE R10

Bulb: High-power LED x 12pcs

Warning Patterns: 25 Flash Patterns

Operating Voltage: 12~24VDC

Avg. Current: 0.78A @12VDC / 0.39A @24VDC
(varies with flash pattern)

Avg. Power: 9.25 Watts (varies with flash pattern)

Max. Current: 1.56A @12VDC / 0.78A @24VDC

Max. Power: 18.5 Watts

Wires: Red-Vcc : 25cm (20AWG)
Black-GND : 25cm (20AWG)
Yellow-Flash Patterns & Sync : 25cm (20AWG)
White-Low Power : 25cm (20AWG)

Fuse Recommended: 3A

Multi-Unit Synchronization: Over 15 units

Available in: RED, BLUE, AMBER, WHITE

FLASH PATTERN

| FP# | Flash Patterns | | |
|-----|---------------------|----|--------------------|
| 1 | Double [R65] | 14 | Single (all) [SAE] |
| 2 | Single [2Hz] | 15 | Double (all) [SAE] |
| 3 | Triple [2Hz] | 16 | Quad (all) [SAE] |
| 4 | Quad [2Hz] | 17 | Quint (all) [SAE] |
| 5 | Random | 18 | Mega (all) |
| 6 | Single (split) | 19 | Ultra (all) [SAE] |
| 7 | Double (split) | 20 | Single-Quad (all) |
| 8 | Quad (split) | 21 | Single H/L (all) |
| 9 | Quint (split) | 22 | Steady half |
| 10 | Mega (split) | 23 | Steady all |
| 11 | Ultra (split) | 24 | Rotate Slow |
| 12 | Single-Quad (split) | 25 | Rotate Fast |
| 13 | Single H/L (split) | | |

*split=Left alternating Right *all=all LEDs on