

MINI LIGHTHEAD Manual

Surface Mount

To + VDC (fuse @ 5A): **RED**

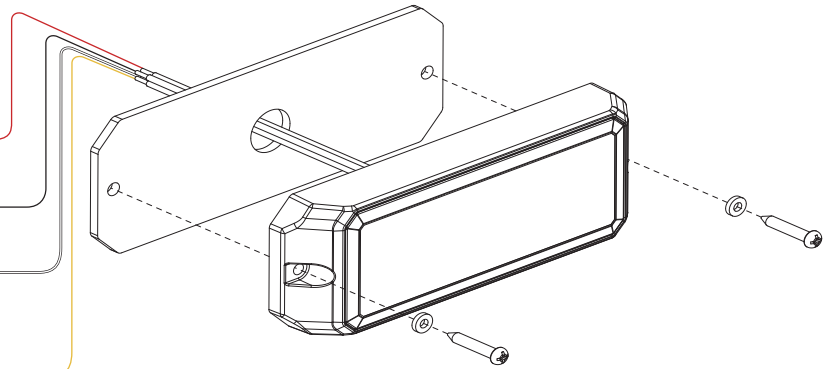
To Chassis Ground: **BLACK**

For Low Power: **WHITE**

Apply +VDC to **WHITE** wire.

For Synchronization: **YELLOW**

Connect **YELLOW** wires of all heads together for synchronization
(All heads must be set at the same pattern)



For Flash Modes:

1. Apply +VDC to **RED** and **YELLOW** wires simultaneously to enter Flash mode.
2. Remove **YELLOW** wire from +VDC and momentarily apply to +VDC to change Modes (see Flash Modes chart):
 - Flash once = (Phase1)
 - Flash twice = (Phase2)
 - Heads in the same Phase flash together.
 - (Phase1) Heads alternate with (Phase2) Heads.

FM#	Flash Modes
1	Top-Down (Phase1)
2	Top-Down (Phase2)
3	Left-Right (Phase1)
4	Left-Right (Phase2)
5	Criss-Cross (Phase1)
6	Criss-Cross (Phase2)

For Flash Pattern, momentarily apply +VDC to **YELLOW** wire:

- once for next pattern
- quickly three times for reset

NOTE: This unit may not be factory set at FP#1.

FP#	Flash Patterns	
1	Double (R65)	14 Single (all)
2	Single (2Hz)	15 Double (all)
3	Triple (2Hz)	16 Quad (all)
4	Quad (2Hz)	17 Quint (all)
5	Random	18 Mega (all)
6	Single (split)	19 Ultra (all)
7	Double (split)	20 Single-Quad (all)
8	Quad (split)	21 Single H/L (all)
9	Quint (split)	22 Steady 2 (california)
10	Mega (split)	23 Steady 4 (all)
11	Ultra (split)	24 Rotate Slow
12	Single-Quad (split)	25 Rotate Fast
13	Single H/L (split)	