

Mini Stealth

12-LED LIGHT HEAD (Surface Mount)



FEATURES

- Super low profile for discreet mounting.
- Multi-Voltage Input 12~24VDC.
- Built-in 25 selectable flash patterns and 3 modes (Top-Down, Left-Right, Criss-Cross)
- Built-in Low Power function.
- LEDs rated to 100,000 hours of operation.
- Non-volatile memory recalls last flash pattern used at power up.
- Multiple units are synchronizable and can flash simultaneously or alternately.
- Reverse polarity protection.
- Weatherproof and vibration resistant design for external or internal use.
- Aluminum base for heat dissipation.

SPECIFICATIONS

Meets: SAE, Title XIII, e13, ECE R65 (XA2, XB2)

Bulb: High-power LED x 12 pcs

Warning Patterns: 25 Flash Patterns

Operating Voltage: 11~30VDC

Avg. 0.75A@12VDC / 0.38A @24VDC (Amber / Red)

Current: 1.25A@12VDC / 0.63A @24VDC (Blue / White)
(varies with flash pattern)

Avg. Power: 9 Watts (Amber / Red)

15 Watts (Blue / White)

(varies with flash pattern)

Max. 1.5A@12VDC / 0.75A @24VDC (Amber / Red)

Current: 2.5A@12VDC / 1.25A @24VDC (Blue / White)

Max. Power: 18 Watts (Amber / Red)

30 Watts (Blue / White)

Wires: Red-Vcc : 20cm (20AWG)

Black-GND : 20cm (20AWG)

White-Low Power : 20cm (20AWG)

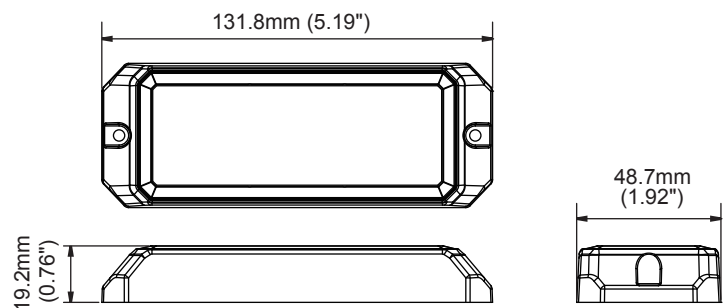
Yellow-Flash Patterns & Sync : 20cm (20AWG)

Fuse Recommended: 5A

Multi-Unit Synchronization: Over 15 units

Available in: RED , BLUE , AMBER , WHITE

DIMENSIONS



PART NO.

- M35-0113X-00 (X=LED Color, SAE)
- M35-0123A-01 (AMBER, R65)
- M35-0123B-01 (BLUE, R65)

FLASH PATTERNS

Flash Patterns					
1	Double (R65)	10	Mega (split)	19	Ultra (all)
2	Single (2Hz)	11	Ultra (split)	20	Single-Quad (all)
3	Triple (2Hz)	12	Single-Quad (split)	21	Single H/L (all)
4	Quad (2Hz)	13	Single H/L (split)	22	Steady 2 (california)
5	Random	14	Single (all)	23	Steady 4 (all)
6	Single (split)	15	Double (all)	24	Rotate Slow
7	Double (split)	16	Quad (all)	25	Rotate Fast
8	Quad (split)	17	Quint (all)		
9	Quint (split)	18	Mega (all)		

*SPLIT=Left alternate Right *ALL=all LEDs on

FLASH MODES



Up-Down



Left-Right



Criss-Cross