

Mini Stealth

12-LED LIGHT HEAD (Surface Mount)

R65

SAE

Premium Output

for enhanced safety

M35-0113A-00



Super Compact

for professional look



Extra Flashing Options

for effective warning



Up - Down



Criss - Cross



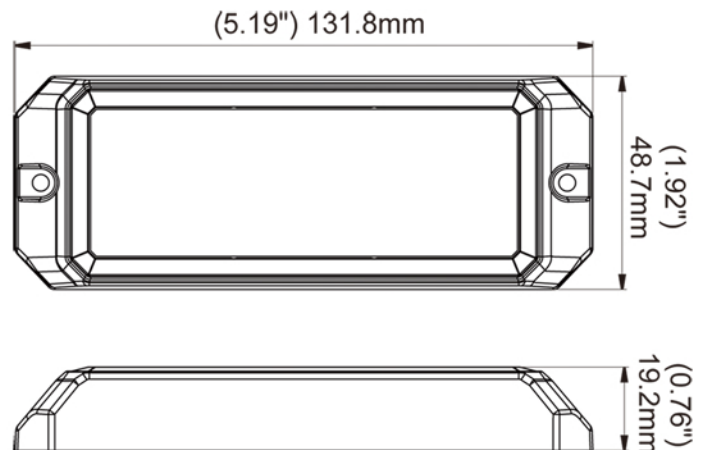
Left - Right



FEATURES

- Multi-Voltage Input 12~24VDC.
- Built-in 25 selectable flash patterns.
- With Low Power Dimming option.
- LEDs rated to 100,000 hours of operation.
- Multiple units are synchronizable and can flash simultaneously or alternately.
- Reverse polarity protection.
- Aluminum base for heat dissipation.

LED COLOR:    



TEL:+886-2-86873177 FAX:+886-2-86873166
8F-1, No.502, Da An Rd., Shulin District, Xinbei City, Taiwan, 23849
www.juluen.com.tw

Rev.121029
© 2012 Juluen