

Mini Stealth

12~24VDC

SAE 3-LED Directional Warning Lamp (Surface Mount / Hood Mount)



FEATURES

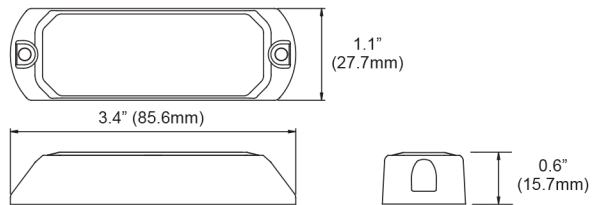
- Low-profile Surface mount or hood/utility mount for versatile discreet mounting.
- Powerful SAE Class 1 certified output.
- Non-volatile memory - recalls last flash pattern used at power up.
- Multi-units synchronization in simultaneous or alternating flash.
- Reverse polarity protection.
- Weatherproof and vibration resistant design for internal or external use.
- Solid aluminium housing for efficient heat dissipation and maximum durability.

SPECIFICATIONS

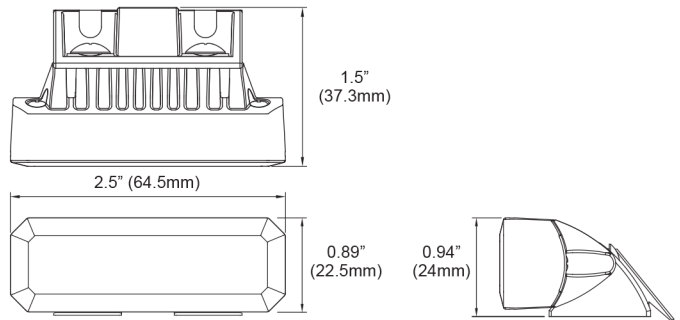
Approval: SAE J595
IP Code: IPX7
Light Source: High Power 3W LED x 3 pcs
Warning Patterns: 12 Flash Patterns
Operating Voltage: 12~24VDC
Avg. Current: 0.2A @12.8VDC / 0.11A @24VDC
 (varies with flash pattern)
Avg. Power: 2.7 Watt (varies with flash pattern)
Max. Current: 0.4A @12.8VDC / 0.22A @24VDC
Max. Power: 5.5 Watt
Wires: Red-Vcc: 97cm (20AWG)
 Black-GND: 97cm (20AWG)
 Yellow-Flash Patterns & Sync: 97cm (20AWG)
Fuse Recommended: 1A
Multi-Unit Synchronization: Over 15
LED Colour: Amber, Blue, Red, Green, White
Lens Colour: Clear

DIMENSIONS

Surface Mount



Hood Mount



PART NO.

HOOD MOUNT

M013-0003A-000 Amber
 M013-0003B-000 Blue
 M013-0003R-000 Red
 M013-0003W-000 White

SURFACE MOUNT

M014-0003A-000 Amber
 M014-0003B-000 Blue
 M014-0003G-000 Green
 M014-0003R-000 Red
 M014-0003W-000 White

FLASH PATTERN

FP#	Flash Patterns		
1	Random	7	Quad
2	Steady	8	Quint
3	Single	9	Ultra
4	Mega	10	Single-Quad
5	Double	11	Single H/L
6	Triple	12	Single-Triple-Quint