

ED6

EDGE DAGGER

6-LED NARROW PROFILE LIGHTHEAD

Dual Color

Single Color


FEATURES

- An ideal solution for limited space: 13 mm (0.51") in height and 85 mm (3.35") in length.
- Smoked lens provide less conspicuous appearance and smooth aesthetic for modern vehicles.
- Universal Multi-angle Brackets, mounting virtually anywhere.
- Optional Adjustable Bracket with for hood mount application.
- ECE R65 Class 2 (single color) and ECE R65 Class 1 (dual color) homologated light performance. Documentation available upon request.
- Independent Cruise Mode in calmly steady-burn.
- ECE R10 EMC Compliance.
- Multi-unit synchronization in simultaneous or alternating flash.
- Reverse polarity protection.
- Weatherproof and vibration resistant design for external use.

SPECIFICATIONS

Compliance: ECE R65 (XA2, XB2, XR2), Single Color/ Clear Lens;
ECE R65 (XA1, XB1, XR1), Dual Color/ Clear Lens;
ECE R65 (XA1, XB1), Single Color/ Smoked Lens;
ECE R10;
SAE J595 Class1; CA Title 13;
IPX8

LED Elements: High-power LED x 6 pcs

No. of Warning Patterns: 28 for Dual Color; 18 for Single Color

Operating Voltage: 12~24VDC

Average Current: 0.6A @12VDC / 0.3A @24VDC, Single Color
0.3A @12VDC / 0.15A @24VDC, Dual Color
(varies with flash pattern)

Max. Current: 1.2A @12VDC / 0.6A @24VDC, Single Color
0.6A @12VDC / 0.3A @24VDC, Dual Color

Average Power: 7.2W, Single Color
3.6W, Dual Color
(varies with flash pattern)

Max. Power: 14.4W, Single Color
7.2W, Dual Color

Wires: Red - 20cm (24AWG)
Black - 20cm (24AWG)
White - 20cm (24AWG)
Green - 20cm (24AWG)
Yellow - 20cm (24AWG)

Fuse Rating: 2A for Single Color; 1A for Dual Color

Synchronization: up to 20 units

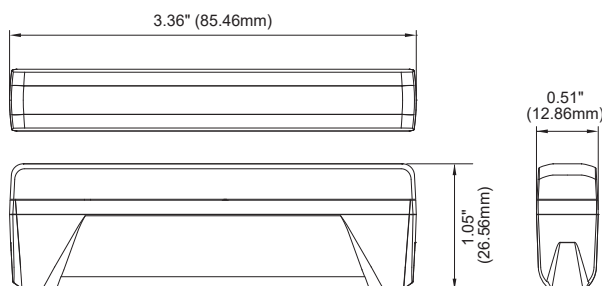
LED Color: Red, Blue, Green, Amber, White

Lens Color: Clear, Smoked

Storage Temp. : -40°C to +75°C

Working Temp. : -40°C to +65°C

DIMENSIONS



FLASH PATTERN

Flash Pattern		
1	Double	[2Hz]
2	Single	[2Hz]
3	Triple	[2Hz]
4	Quad	[2Hz]
5	Random	
6	Steady EF*	
7	Single	[SAE/CA13]
8	Double	[SAE]
9	Triple	[SAE]
10	Quad	[SAE]
11	Quint	[SAE]
12	Mega	
13	Giga	
14	Ultra	[SAE]
15	Single-Quad	
16	Single H/L	
17	Single-Triple-Quint	
18	Steady Scene	
19	Single-Single	
20	Double-Double	
21	Triple-Triple Mid	
22	Triple-Triple Fast	
23	Quint-Triple	
24	7-1 Flash	
25	7-1 Flash #	
26	Quad-Single	
27	Quad-Single #	
28	Quint-Quint	

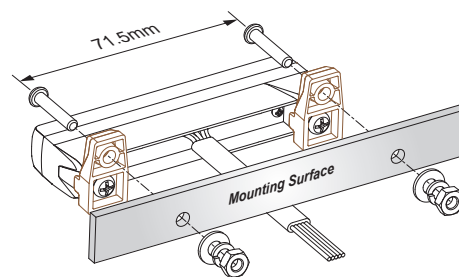
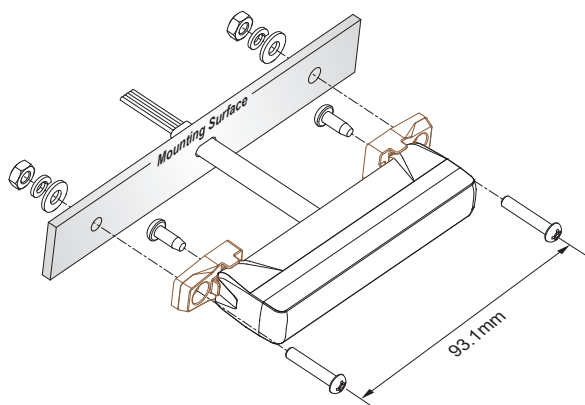
FP#19~28 available on dual color models only.

* For use with external flash controller.

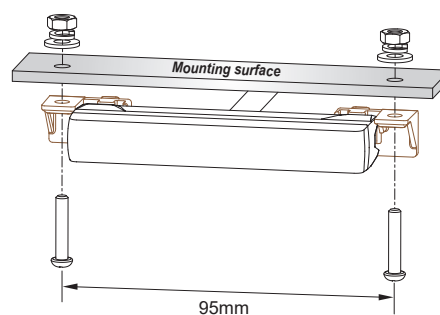
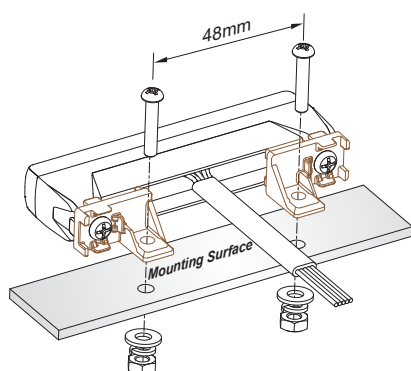
Inverted color mode.

INCLUDED MOUNTING BRACKETS

Universal Bracket (Multi-Angle)



L-Bracket (Front / Rear)



OPTIONAL ACCESSORY

ADJUSTABLE BRACKET (99-M077M00-000)

