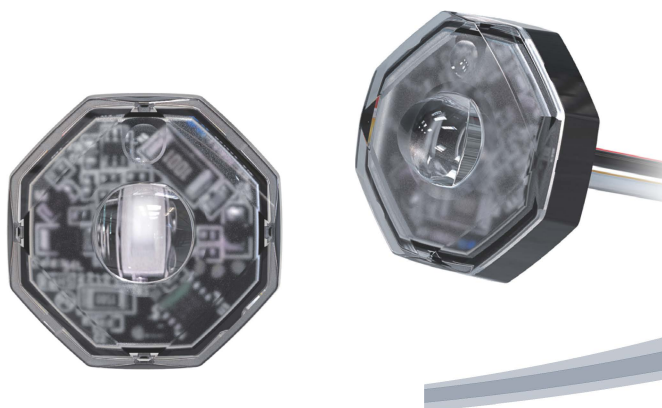


# OF01

## Octa-Fit Lighthouse



### FEATURES

- 4 units offer a directional warning approved to ECE R65 Class 1 Category X (XA1, XB1, XR1). **NEW!**
- Small-size lighthouse for installations on side mirrors, tailgate, trunk lids, or door panels. Perfect product for unmarked/undercover vehicles to accommodate various mounting applications.
- "OFF Override" wire allows turn signal to override warning.
- Self-contained flasher; no external flasher required.
- Multi-Voltage Input 12~24VDC.
- Multi-units synchronization in simultaneous or alternating flash.
- Reverse polarity protection.

### SPECIFICATIONS

**Compliance:** ECE R65 (XA1, XB1, XR1); ECE R10

**IP Rating:** IP67, IP69K

**LED Element:** High-power LED x 1 pc

**No. of Warning Pattern:** 9

**Operating Voltage:** 12~24VDC

**Avg. Current:** 0.135A @12VDC / 0.07A @24VDC  
(varies with flash pattern)

**Max. Current:** 0.27A @12VDC / 0.135A @24VDC

**Avg. Power:** 1.62 Watts (varies with flash pattern)

**Max. Power:** 3.2 Watts

**Wire:** Red-Vcc: 24AWG

Black-GND: 24AWG

White- Disable Warning: 24AWG

Yellow-Flash Patterns & Sync: 24AWG

Wire Length: 55cm

**Fuse Rating:** 2A

**Synchronization:** 20 Units

**LED Colour:** Red, Blue, Amber, White

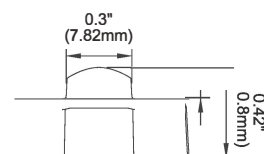
**Lens Colour:** Clear

**Storage Temp.:** -40°C to +75°C

**Operating Temp.:** -40°C to +65°C

### DIMENSIONS

0.86" (21.94mm)



### FLASH PATTERN

#### FLASH PATTERNS

1	Double	[R65]*	6	Steady EF**
2	Single	[2Hz]	7	Single-Quad
3	Triple	[2Hz]	8	Single H/L
4	Quad	[2Hz]	9	Single-Triple-Quint
5	Random			

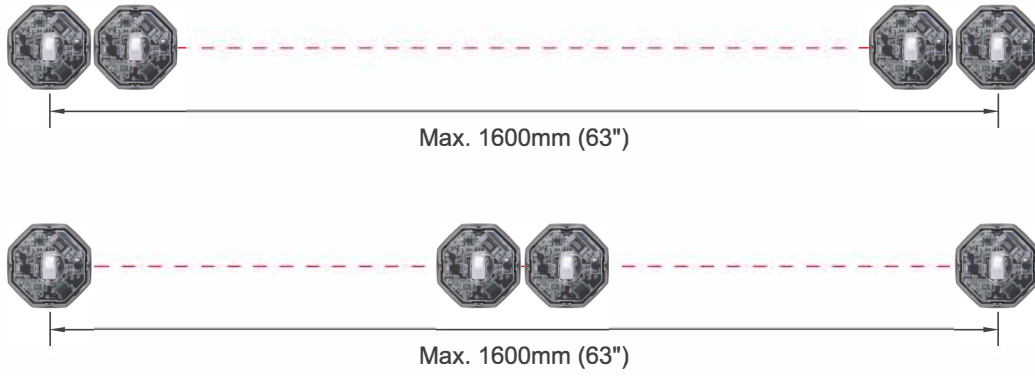
\* Actual approval will be based on the model ordered.

\*\* For use with external flasher controller.

## APPROVED MOUNTING POSITION

The lighthoods must be set up in a set of four units to meet ECE R65 Cat. X. (Amber, Blue, Red)

Follow the graph and position the lighthood within the required distance and angle to fulfill the approval requirement.



### Application Examples

