

valid for:

**506584xxxxx – LB200 607 – 1527 mm**

Document: 50658400001980 (0)

Language: english

Issue date: 11/2023

© Standby GmbH, all rights reserved

If you have any technical questions, please contact your responsible sales representative or central customer service

The copyright of this document remains with Standby GmbH. The documentation contains technical information that may not be changed, copied, reproduced, rented, supplemented or otherwise used without the prior written consent of Standby GmbH.

Technical changes reserved.

## Liability Notice

### **LIMITATIONS OF LIABILITY**

The products have been developed in accordance with the applicable standards and regulations. The information collected in the technical documentation takes into account the state of the art as well as the knowledge and experience acquired over many years.

Standby is not liable for damage and consequences due to:

- Failure to comply with the information in the product documentation
- Non-compliant use of the product
- Assembly and application of products manufactured by unskilled workers
- Unauthorized changes made by the user or the operator himself
- Technical changes not submitted to or approved by Standby
- Use of spare parts that are not approved by Standby

### **BUILDER'S RESPONSIBILITIES**

The body builder is fully responsible for assembling the equipment on a vehicle.

The body builder must define the means and materials required to assemble the equipment in order to deliver the vehicle equipped according to the regulations. Standby is not responsible for errors resulting from a wrong definition of the type of mounting system, the reinforcements, the holes in the roof panel, the condition and quality of the mounting system, the use of anchoring points by the vehicle manufacturer and the definition of the power supply and protection of the system according to the energy source of the vehicle.

### **USER AND OPERATOR RESPONSIBILITIES**

Standby products are professional devices that may only be used for this purpose. Their implementation is subject to legal obligations with regard to workplace safety to which the operator must submit. The same applies to safety and accident prevention regulations as well as environmental protection regulations. Use of these devices on the road is subject to traffic laws and regulations.

#### **Obligations of the operator:**

- Find out about the applicable occupational safety regulations
- Carrying out a risk analysis of specific working conditions at the intervention site
- Adapting user training to regulations, standards and conditions of use
- When using the device, periodically review the adequacy of the implementation rules against the applicable safety rules and standards.
- To ensure that the operator has read and understood the device's user manual.
- Ensure users are regularly trained in their use and informed of the dangers associated with implementing the equipment.
- To provide the personnel with protective equipment adapted to the operation and to ensure that it is used.

#### **It is the responsibility of the operator:**

- Ensuring the curative and preventive maintenance of devices
- Ensure that safety devices are checked regularly

### **USAGE**

#### **Intended Use**

The special signal system is intended for use on vehicles with an on-board voltage of 12 V or 24 V. When using it on public roads, the statutory provisions must be observed.

#### **Improper use**

Any use beyond this is considered improper.

The manufacturer is not liable for damage resulting from improper use; the operator bears the risk.

#### **Cleaning the coloured domes**

A mild, alcohol-free cleaning agent (washing-up liquid, car shampoo) should be used for cleaning, as otherwise cracks and damage can occur. We recommend our cleaner CLEAN-LIGHTS cleaning foam for warning systems (PN: 082 030 010 200).

#### **General cleaning**

If the lightbar is cleaned intensively (e.g. with a high-pressure cleaner or in long car washes), the inside of the lightbar can condense up. This type of cleaning should be avoided.

### **NOTE ON RADIO ANTENNA INSTALLATION**

It is recommended to mount the BOS radio antenna at a distance of  $\geq 1$  m from the light bar in order to avoid radio interference. The absolute minimum distance of 0.5 m should never be undercut.

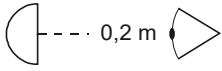
### **CUSTOMER SERVICE**

The STANDBY CUSTOMER SERVICE is available for technical information:

- Website: [standbyrsg.co.uk](http://standbyrsg.co.uk) / [standbygroup.se](http://standbygroup.se)
- Email: [info@standbyrsg.co.uk](mailto:info@standbyrsg.co.uk) / [support@standbygroup.se](mailto:support@standbygroup.se)
- Phone: +44 1543 43 88 00 / +46 520 49 44 40

In the interests of continuous improvement, our employees are available to answer any questions you may have about the installation and use of our products.

## Safety Instructions



### WARNING ABOUT OPTICAL RADIATION

All optical components are classified as low risk in accordance with DIN EN 62471. Only look into the light beam of the components for a short time (max. 4 minutes) with the paint cap on! Minimum distance from light source to eye 0.2 m.

### Colour code in the connection diagram

Abbreviations with 4 letters are two-colour lines; e.g. WHYE = white/yellow (white cable with yellow stripe)

abbreviation	colour
RD	red
BK	black
BN	brown
GN	green

abbreviation	colour
WH	white
YE	yellow
GY	grey
BU	blue

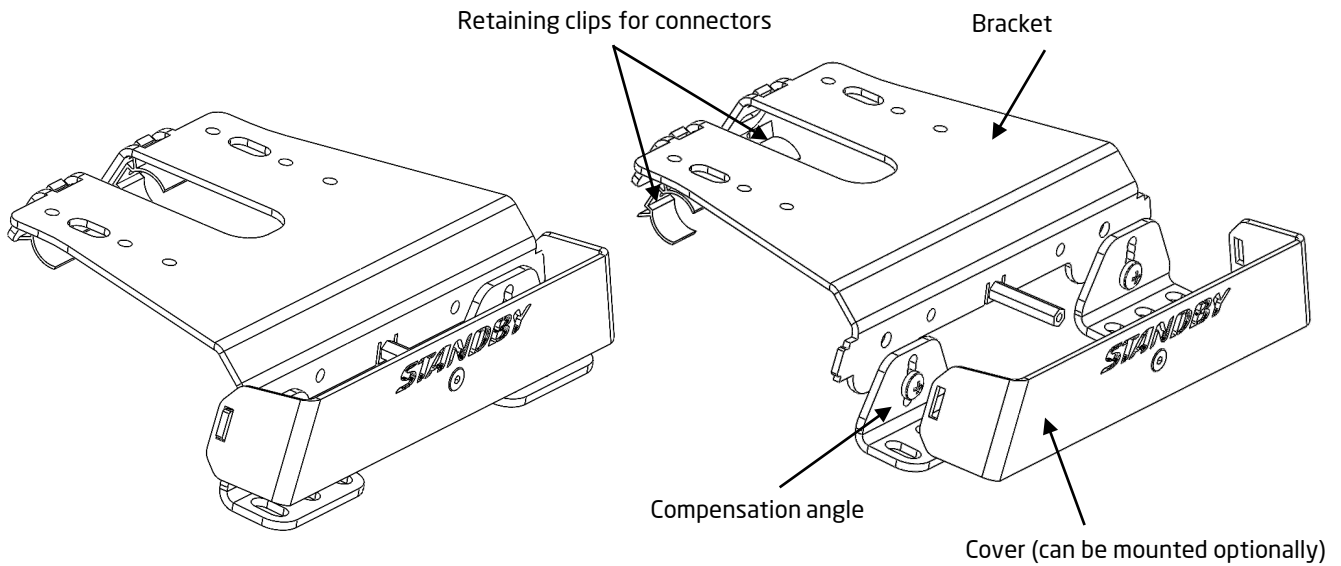
abbreviation	colour
VT	violet
OG	orange
PK	pink

### Common abbreviations used in this document

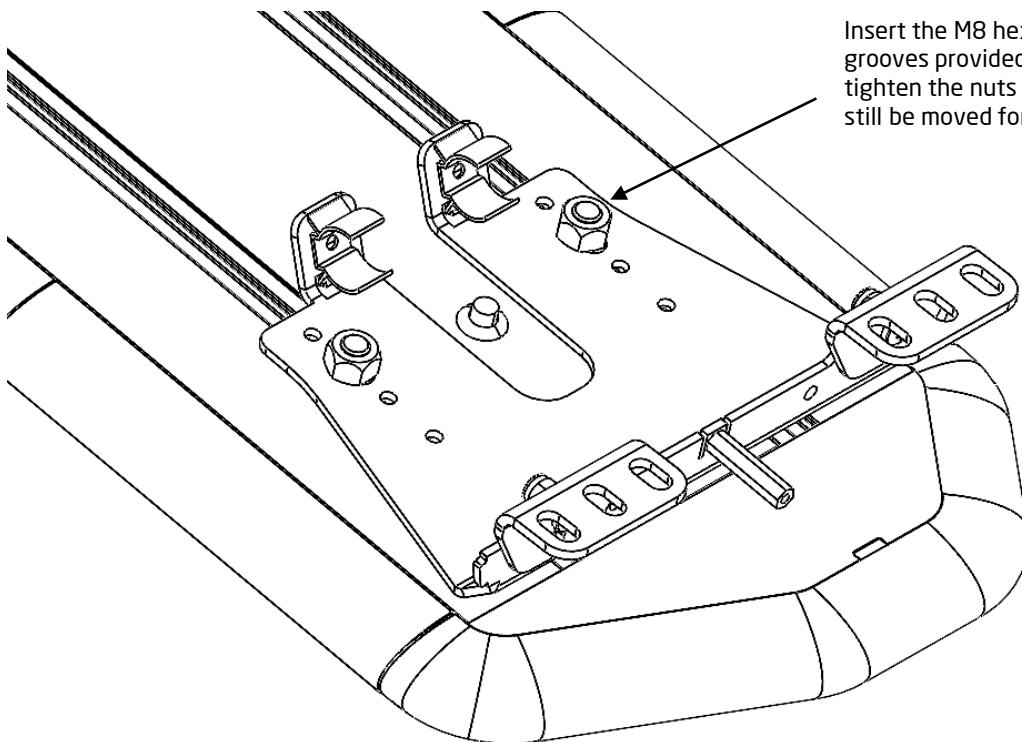
PN	Part Number
+BAT	Operating Voltage
+BAT	Battery plus
GND	Battery minus
night switch	Night switch
sync	Synchronisation

## Mounting the Light Bar

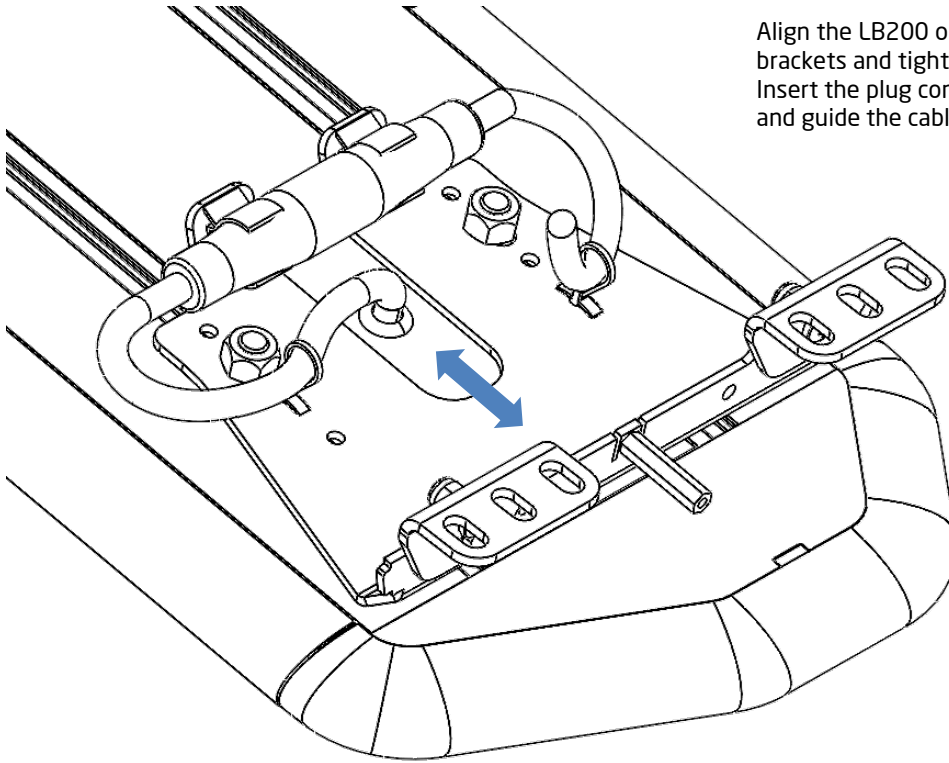
### Components of the mounting bracket:



### Assembly:

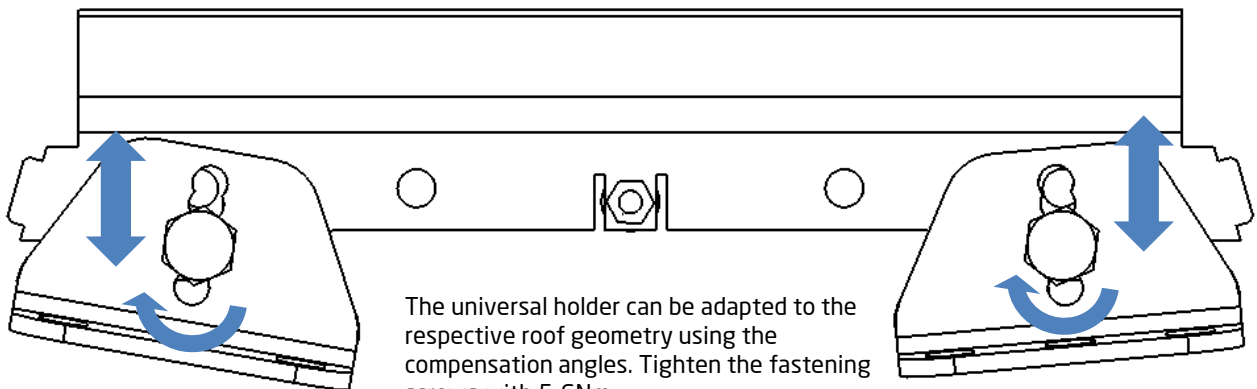


## Mounting the Light Bar



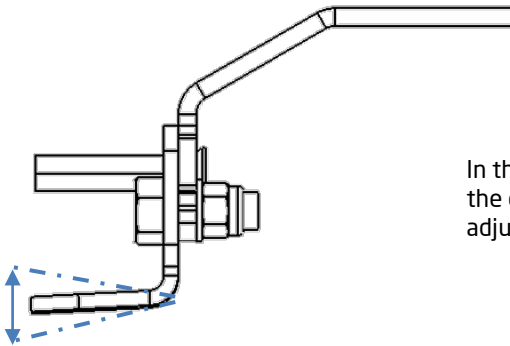
Align the LB200 on the vehicle roof by moving the brackets and tighten the M8 nuts with 6 Nm. Insert the plug connector into the retaining clips provided and guide the cable with the cable ties provided.

Adjusting the height and aligning the brackets using the compensation angles. The support surface of the bracket must be parallel to the road surface.

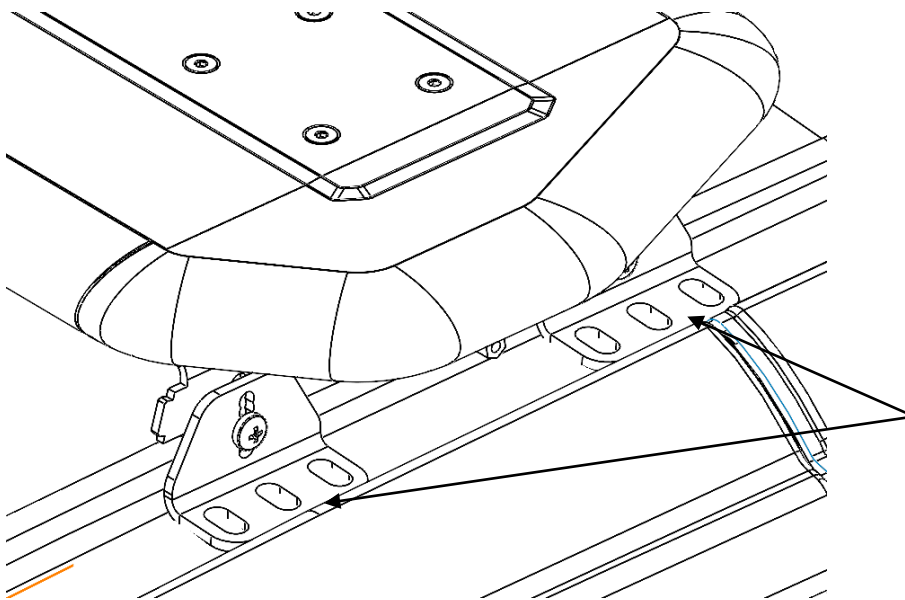


The universal holder can be adapted to the respective roof geometry using the compensation angles. Tighten the fastening screws with 5-6Nm.

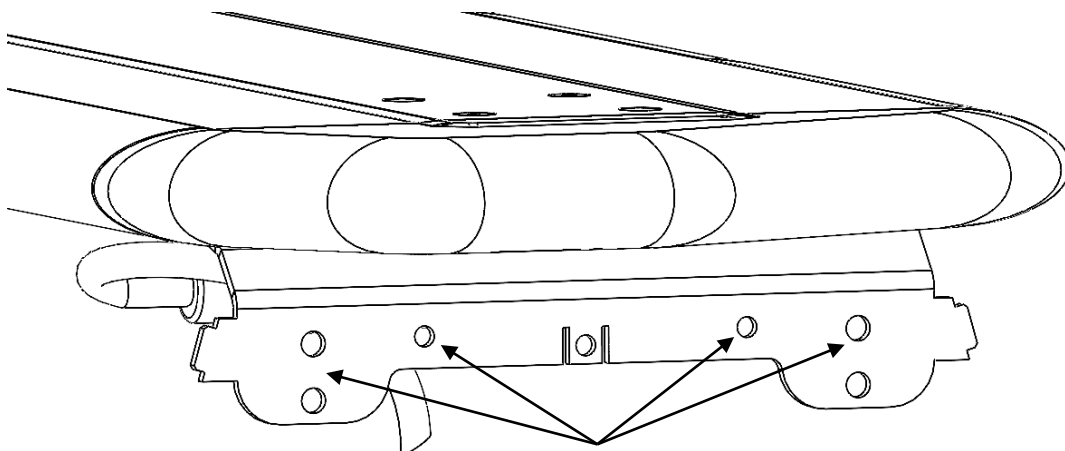
## Mounting the Light Bar



In the case of heavily curved vehicles in the side area, the compensation angles can be bent accordingly and adjusted slightly if necessary.



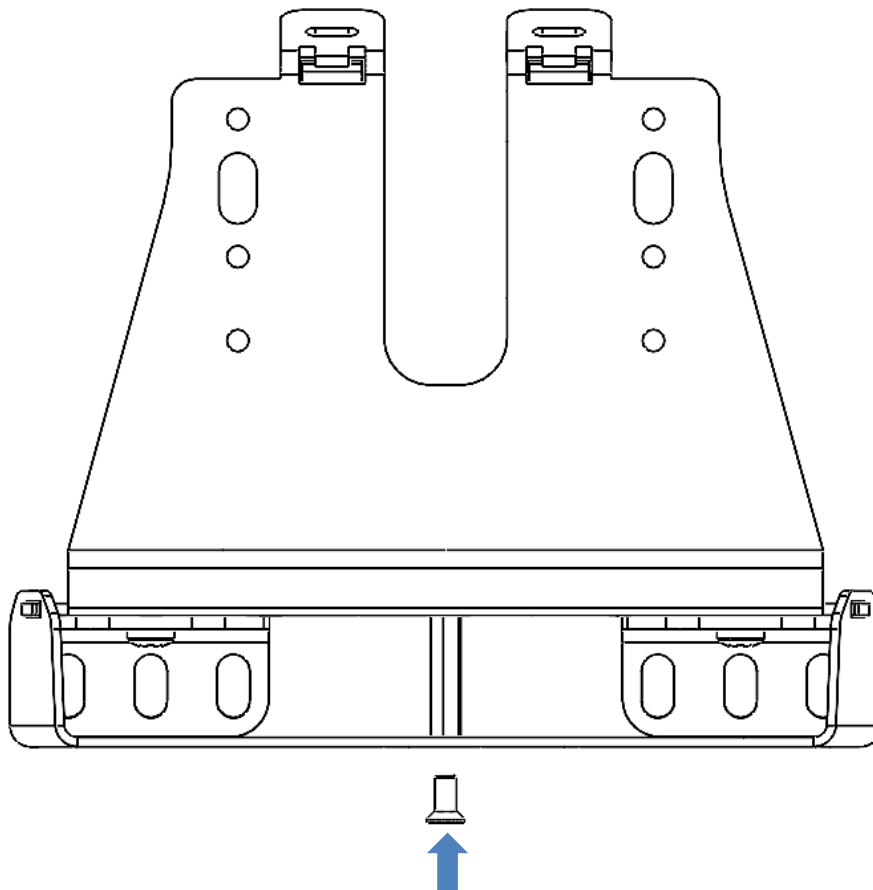
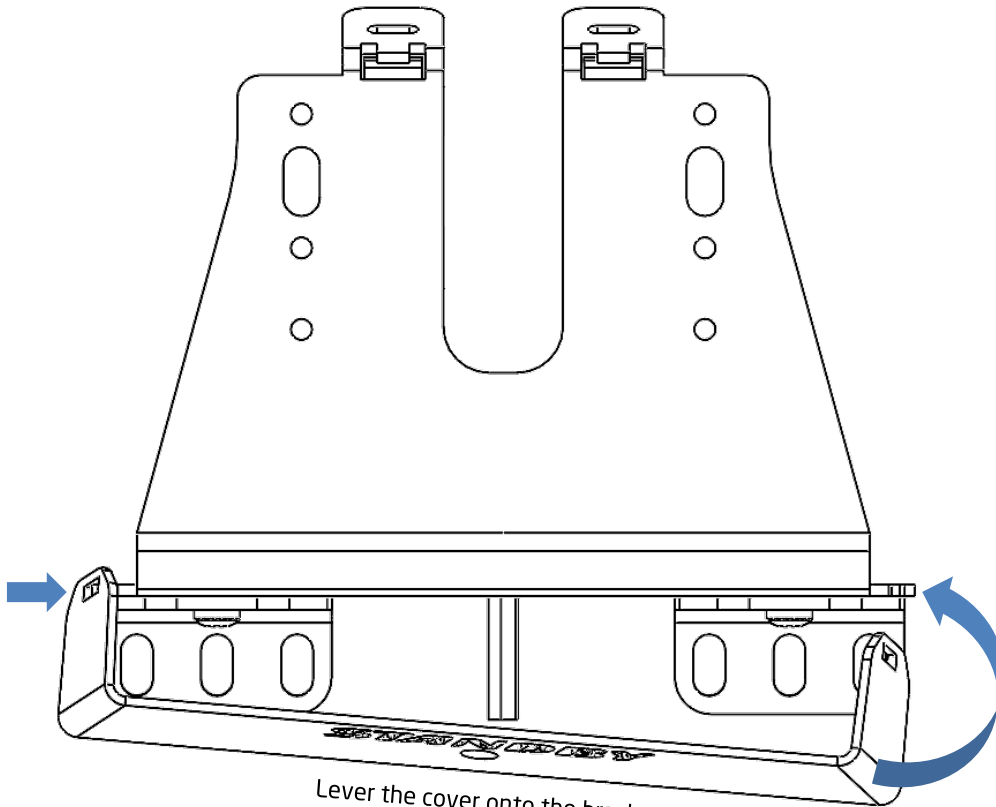
Connection points to the vehicle roof.



Connection points to the roof rails. At least four connection points should be used per bracket.

**Liquid screw locking must be used for all screw connections where no nut with a clamping part is used.**

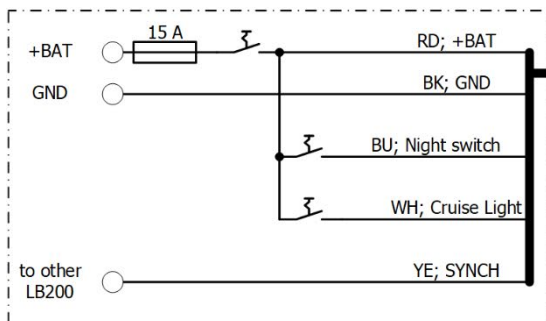
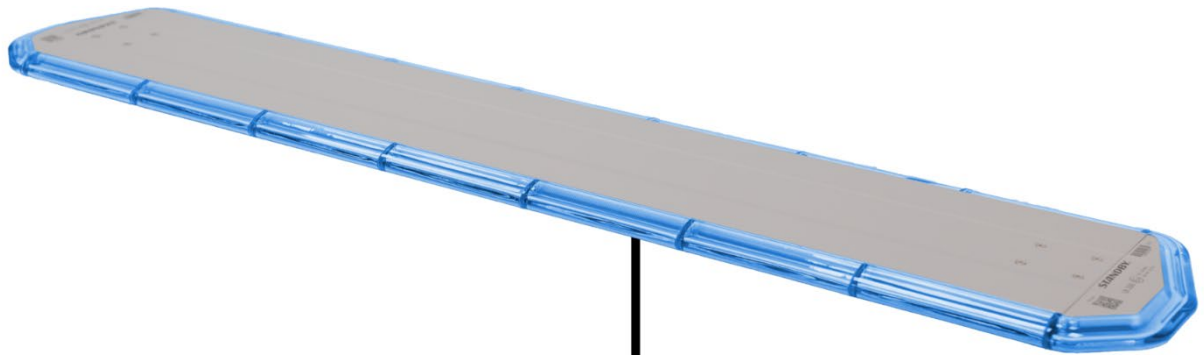
## Mounting the Light Bar



Tighten the screw (torque 2-3Nm, use liquid screw locking agent).

## Electrical Connection

ENGLISH



vehicle side; cables that are not required NOT shown!

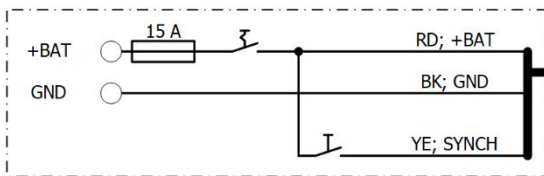
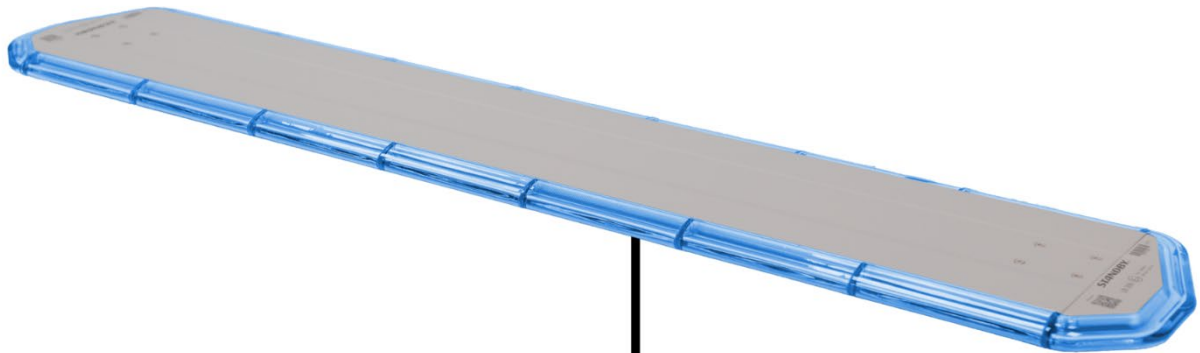


## Flash Pattern Setting

To change the flash pattern of the LB200, the light bar is first connected to the power supply.

Now the flash pattern can be set by pressing the yellow line (synch) against +UB for < 1s. The flash pattern changes according to the table below.

A button > 2s resets the light bar to the factory setting (triple flash alternating).



Flash pattern	
No	Flash pattern
1	Single flash synchronous
2	Single flash alternating
3	Double flash synchronous
4	Double flash alternating
5	Tripple flash synchronous
6	Tripple flash alternating
7	Quadruple flash synchronous
8	Quadruple flash alternating
9	ICAO
10	Rotating

← **Factory default**

## Technical Data

TECHNICAL DATA	
Operating Voltage	12/24 VDC (10 ... 30 VDC)
Current Consumption	3 - 10 A, depending to lightbar length
LED-Colour	blue, amber
Dome Colour	clear
Flash pattern	Single-, Double-, Tripple-, Quadruple flash, alternating or synchronous, ICAO, Rotating
Mounting	fix mount
Protection Class	IP67
Weight	approx. 7 kg/m
Connection Cable	6 m
Available Lengths	blue: 317, 1082, 1235, 1388, 1541 mm amber: 317, 469, 622, 928, 1082, 1235, 1388, 1541, 1847 mm
Height	25,5 mm (without bracket)
Depth	220 mm
Approvals	ECE R10, CISPR 25 Class 3 ECE R65 Class 2 (Single- and Tripple flash, synchronous and alternating)



**STANDBY**<sup>®</sup>

When attention matters.

---

ENGLISH