

# RX4 Reactor

## 4 LED Warning Lighthouse

Single Color ● ● ● ● ●

12~24VDC



### FEATURES

- Small footprint and compact design suitable for installation in tight or limited space.
- Extremely lightweight – Only 23 grams.
- ECE R65 Class 1 homologated light output.
- Screwless design - 3M adhesive tape for quick installation.
- Multi-unit synchronization in simultaneous or alternating flash.
- Weatherproof to IPX7, IPX9K and vibration resistant design for external use.

### SPECIFICATIONS

**Compliance:** R65 Class 1(XA1/XB1/XR1), SAE J595 Class 1, CA13, R10, IPX7, IPX9K

**LED Element:** High-power LED x 4 pcs

**No. of Warning Patterns:** 18

**Operating Voltage:** 12~24VDC

**Avg. Current:** 0.375A @12VDC / 0.188A@24VDC

**Max. Current:** 0.75A @12VDC / 0.375A@24VDC

**Avg. Power:** 4.5W

**Max. Power:** 9W

**Wires:** Black - GND (20AWG)  
Red - Warning Mode (20AWG)  
Yellow - Flash Pattern & Sync (20AWG)

**Wires Length:** 26.5cm

**Fuse Rating:** 1A

**Synchronization:** up to 20 units

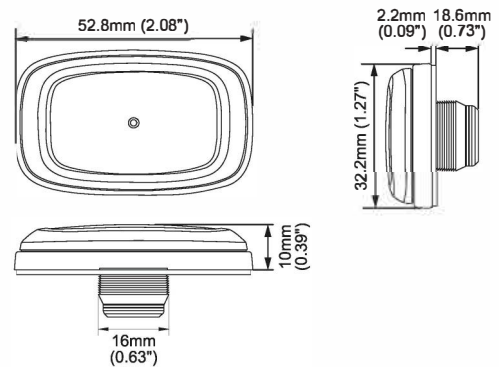
**LED Color:** Red, Blue, Amber, Green, White

**Lens Color:** Clear

**Storage Temp.:** -40°C to +75°C

**Working Temp.:** -40°C to +65°C

### DIMENSIONS



### FLASH PATTERN

FP#	Flash Pattern				
1	Double	[2Hz]	11	Quint	[SAE]
2	Single	[2Hz]	12	Mega	
3	Triple	[2Hz]	13	Giga	
4	Quad	[2Hz]	14	Ultra	[SAE]
5	Random		15	Single-Quad	
6	Steady EF*		16	Single H/L	
7	Single	[SAE/CA13]	17	Single-Triple-Quint	
8	Double	[SAE]	18	Steady Scene	
9	Triple	[SAE]			
10	Quad	[SAE]			

\* For use with external flash controller.