

## Technical Information Sheet

### Part No. LED-644-03

Slim 12/24 volt LED downlighter, 12 bright white LEDs with 6 red LED night light facility, surface mounting, in white plastic. Protected to IP66. CE approved.

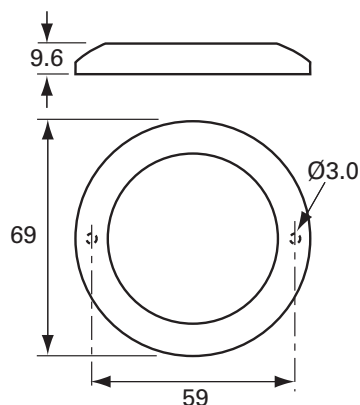
#### Additional information

Red wire 12v +ve supply for white LEDs  
 White wire 12v +ve supply for red LEDs  
 Black wire -ve ground

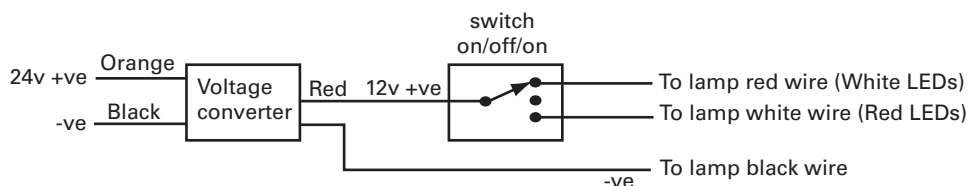
For 24v application, connect the voltage converter (included with product) between 24v supply and the switch (not included); see diagram.



#### Technical Drawing (not to scale)



#### Wiring Diagram



#### Specification

Type	LED downlighter
Voltage	12/24 volt dc
Current (12v)	0.16 amp (white LEDs), 0.04 amp (red LEDs)
LED	12 white LEDs, 6 red LEDs
Illumination	620 lux at 30cm (White LEDs), 50 lux at 30cm (Red LEDs), 192 Lumen's
Housing	ABS
Lens	Polycarbonate
Protection	IP66
Weight	50g
Dimensions	Ø69 x h 9.6mm
Operating Temperature	-20 ~60°C
Compliance	CE, RoHS

The information contained in this document is correct to the best of our knowledge at the time of printing. However, specifications may change at any time without notice.