

# SceneMax

## SceneMax Combo LED Lighthouse

PART NUMBERS: AMBER WARNING LIGHT - LSM-06WAC3 , BLUE WARNING LIGHT - LSM-06WBC3, RED WARNING LIGHT - LSM-06WRC3, WHITE WARNING LIGHT - LSM-06WWC3

### Features

The SceneMax Combo LED is a high power two-in-one module that provides both an intense warning signal and a wide angle scene light in the same lamp body. The small profile and footprint make this a very versatile product to install in limited spaces, saving valuable time and limiting damage to vehicle panels.

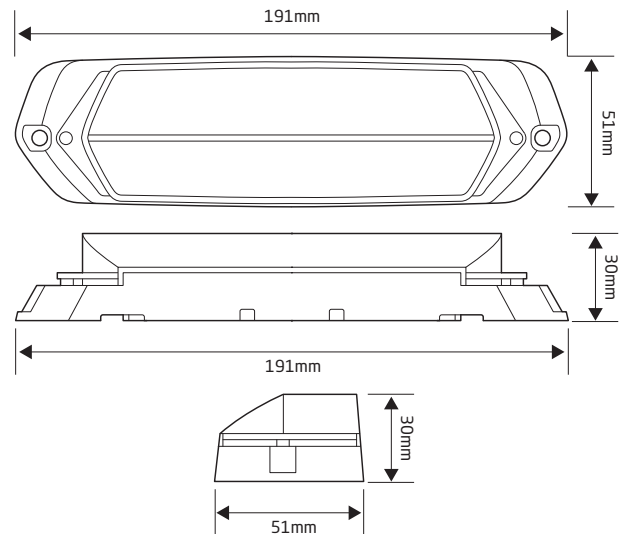
With multi-unit synchronisation and the 'Scene to Cruise' function, the module is available with either amber, blue, red or white warning light, combined with a white scene light.

The warning signal is approved to ECE Regulation 65 Class 2 and the scene lamp provides up to 1700 lumens of valuable and effective scene illumination.

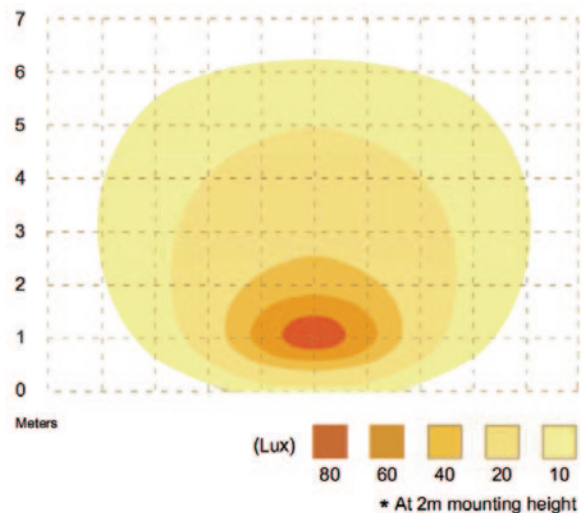
The SceneMax lighthouses are supplied without a snap-on bezel, a variety of coloured bezels are available to purchase, including; black, white, red and yellow in order to best suit your vehicle. Our Red and Yellow bezels have been specifically designed for Ambulance and Fire & Rescue vehicles.

### Specification

- ECE R65 (XA2, XB2, XR2), ECE R10, SAE J595 Class1; SAE J845 Class1; CISPR 25 Class 3; CA Title 13; IPX7 compliant
- 12 x High-power LEDs - 6 pcs (Warning light), 6 pcs (Scene light)
- 29 European flash patterns
- 12-24VDC operation
- Avg. Current: 0.62A@12VDC / 0.31A@24VDC (varies with flash pattern)
- Max. Current: 1.25A@12VDC / 0.62A@24VDC
- Avg. Power: 7.5 Watts (varies with flash pattern)
- Max. Power: 15 Watts
- Wires: Black - GND, Red - Warning Memory 1, Green - Warning Memory 2, White - Low Power, Blue - Scene Light, Yellow - Flash Patterns & Sync
- Wire Gauge and Length: 20 AWG and 20cm
- Fuse Rating: 2A
- Synchronization: 20 units
- Warning LED Colour: Red, Blue, Amber, White  
Scene LED Color: White (5700K-6500K)
- 1700 lm raw lumen, 1240 lm effective lumen
- Lens Color: Clear
- Storage Temp.: -40°C to + 75°C
- Working Temp.: -40°C to +65°C
- Weight : 245g (without bezel)



### Illuminance Pattern



## Flash Patterns

Flash Patterns					
1	Double (2Hz)	11	Quint (SAE)	21	Quad (Split)
2	Single (2Hz)	12	Mega	22	Quint (Split)
3	Triple (2Hz)	13	Giga	23	Mega (Split)
4	Quad (2Hz)	14	Ultra (SAE)	24	Ultra (Split)
5	Random	15	Single-Quad	25	Single-Quad (Split)
6	Steady EF*	16	Single H/L	26	Single H/L (Split)
7	Single (SAE/CA13)	17	Single-Triple-Quint	27	Cruise L
8	Double (SAE)	18	Steady Scene	28	Cruise M
9	Triple (SAE)	19	Single (Split)	29	Cruise H
10	Quad (SAE)	20	Double (Split)		

## Part Numbers

LSM-06WAC3 - Amber Warning Light, White Scene Light (without snap-on bezel)

LSM-06WBC3 - Blue Warning Light, White Scene Light (without snap-on bezel)

LSM-06WRC3 - Red Warning Light, White Scene Light (without snap-on bezel)

LSM-06WWC3 - White Warning Light, White Scene Light (without snap-on bezel)

## Mounting Bezels

High Gloss snap-on mounting bezels available to order.

LSM-06-BB - Black



LSM-06-WB - White



LSM-06-RB - Red



LSM-06-YB - Yellow

